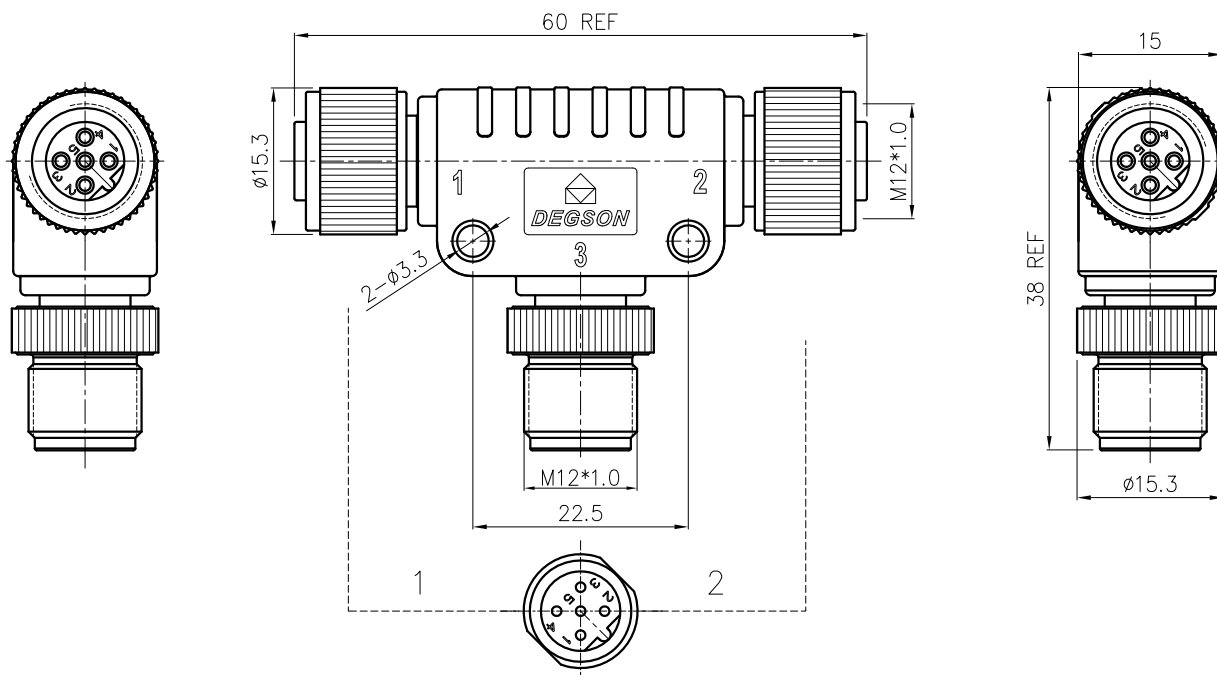
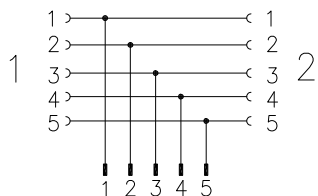


REVISION RECORD

REV	ECN	DESCRIPTION	DRFT	DATE



Circuit diagram:



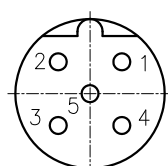
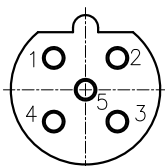
NOTES:

- 1.RoHS Compliance,
- 2.The Code direction is shown as diagram,
- 3.Housing material: PU,(Color: black),
- 4.Contact body material: PU(Color: black)
- 5.Contact material: Copper alloy,(plating: gold)
- 6.0 Ring material: Silicone,(Color: black)
- 7.M12-Screw material: Zinc alloy (plating: Ni),

Technique parameter	
Rated voltage	60V
Rated current	4A
Insulation resistance	≥100MΩ
Withstanding voltage	1000VAC
Operating temperature	-25°C~+85°C
Levels of protection	IP68
Cable OD	/

Female(Front view)

Male(Front view)



B-code

B-code

1	brown
2	white
3	blue
4	black
5	gray
NO.	Color

Dimensional tolerance (mm)

≤30	30 ~ 60	60 ~ 100	100 ~ 150	>150
±0.20	±0.30	±0.50	±0.70	±1.00

PART NO.: FTM12B05MM12B05FQ0200	宁波高松电子有限公司 NINGBO DEGSON ELECTRICAL CO., LTD
APPD:	
CHKD:	
DRFT: WYM 2019/05/23	NAME: FT-M12B-05M-M12B-05F-Q-0200 TITLE: ASSEMBLY DRAWING DRAWING NO.: 20000528 THIRD ANGLE PROJECTION

REV	TO-1
SHEET 1/1	SCALE 1:1
DO NOT SCALE DRAWING	