

REVISION RECORD				
REV	ECN	DESCRIPTION	DRFT	DATE

Technical characteristics:

Specifications
 DIN EN 60 664-1
 DIN EN 61 984

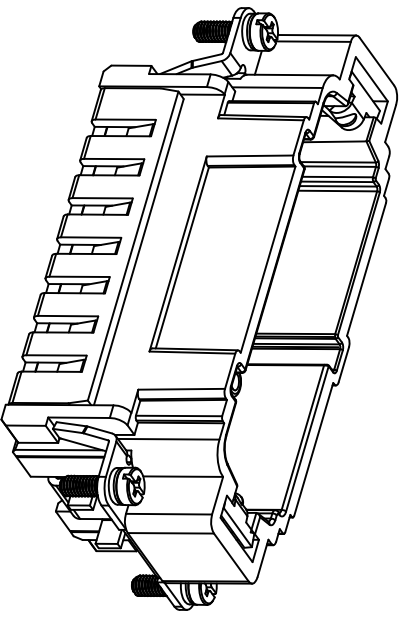
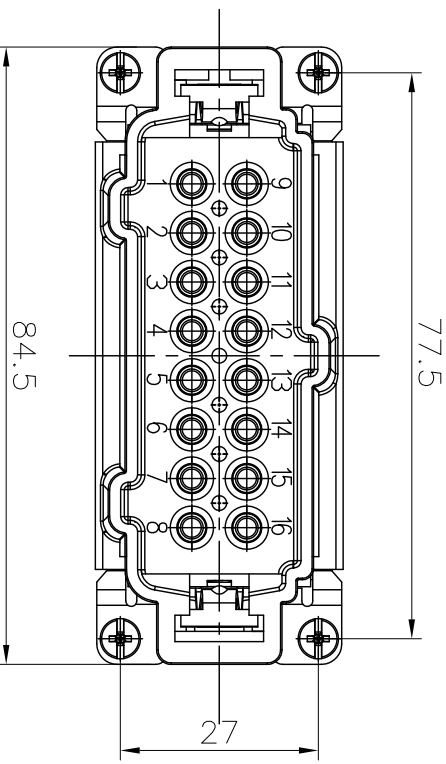
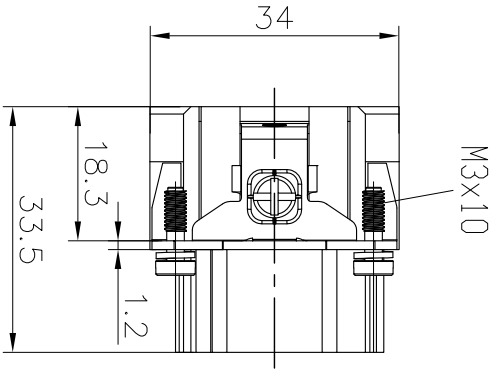
Inserts

01. Number of contacts :16+PE
02. Rated Current :16A
03. Rated Voltage :500V
04. Pollution degree :3
05. Rated impulse voltage :6kV¹⁰
06. Insulation resistance :≥10¹⁰Ω
07. Material:Polycarbonate
08. Rated voltage acc. to UL/CSA:600V
09. Limiting temperatures :-40℃~+125℃
10. Flammability acc. to UL94:V0
11. Mechanical working life (mating cycles) :≥500

Contacts

01. Material:Copper alloy
02. Surface:hard-silver plated
03. Contact resistance :≤1mΩ
04. Terminal :Crimp terminal
05. Wire gauge :0.14-4.0mm² (AWG 26-12)
06. Stripping length :7.5mm
07. Rohns Compliance

Note:Crimp contact pins should order separately



DETACHED LISTS

PART NO.:	/	NAME:	NINGBO DEGSON ELECTRICAL CO., LTD 宁波高松电子有限公司	
APPD:		TITLE:	CUSTOMER DRAWING	
CHKD:		DRAWING NO.:	/	SHEET
DRFT:	Mr. Yang 2016.08.08	DO NOT SCALE DRAWING	SCALE	1:1
THIRD ANGLE PROJECTION				

A 8 7 6 5 4 3 2 1