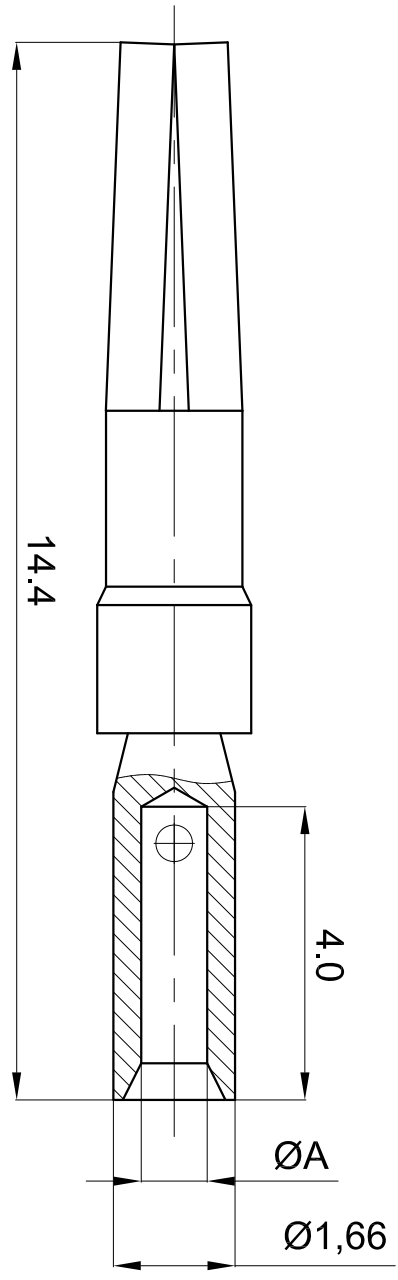


| REVISION RECORD | | | |
|-----------------|-----|-------------|------|
| REV | ECN | DESCRIPTION | DATE |
| | | | |

| Contacts, Gold-plated | (∅A) | Wire gauge | | Recommended stripping length |
|-----------------------|------|--------------------|-------|------------------------------|
| | | (mm ²) | (AWG) | |
| Type of products | | | | |
| 5A-GF-0.25 | 0.64 | 0.09~0.25 | 28~24 | 5mm |
| ◆ 5A-GF-0.33 | 0.90 | 0.25~0.33 | 24~22 | 5mm |
| 5A-GF-0.52 | 1.12 | 0.33~0.52 | 22~20 | 5mm |



Crimp contacts

01. Material :Copper alloy
02. Surface :Gold-plated
03. Contact resistance : ≤3mΩ
04. Terminal :Crimp connection
05. Wire gauge : 0.09~0.52² (AWG 28~20)
06. Rohs Compliance

| DETACHED LISTS | | | |
|------------------------|---------------------|----------------------|---|
| PART NO.: | / | NAME: | DEGSON ® NINGBO DEGSON ELECTRICAL CO., LTD 宁波高松电子有限公司 |
| APPD: | | TITLE: | CUSTOMER DRAWING |
| CHKD: | | DRAWING NO.: | / |
| DRFT: | Mr. Yang 2016.08.08 | DO NOT SCALE DRAWING | SCALE |
| THIRD ANGLE PROJECTION | | SCALE | 10:1 |