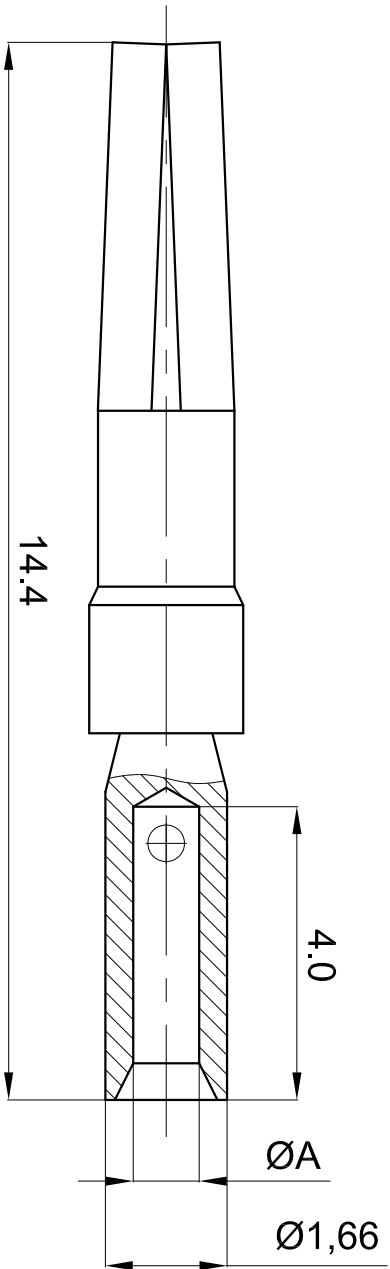


REVISION RECORD				
REV	ECN	DESCRIPTION	DRFT	DATE

Contacts, silver-plated	(∅A)	Wire gauge		Recommended stripping length
		(mm <sup>2</sup> )	(AWG)	
Type of products				
5A-SF-0.25	0.64	0.09~0.25	28~24	5mm
◆ 5A-SF-0.33	0.90	0.25~0.33	24~22	5mm
5A-SF-0.52	1.12	0.33~0.52	22~20	5mm



- Crimp contacts
01. Material :Copper alloy
  02. Surface :Silver plated
  03. Contact resistance : ≤3mΩ
  04. Terminal :Crimp connection
  05. Wire gauge : 0.09~0.52<sup>2</sup> (AWG 28~20)
  06. Rohs Compliance

DETACHED LISTS		NAME: <b>DEGSON</b> ® 宁波高松电子有限公司 NINGBO DEGSON ELECTRICAL CO., LTD	
PART NO.:	/	TITLE:	CUSTOMER DRAWING
APPD:		DRAWING NO.:	/
CHKD:		REV	DO
DRFT:	Mr. Yang 2016.08.08	SCALE	10:1
THIRD ANGLE PROJECTION		DO NOT SCALE DRAWING	