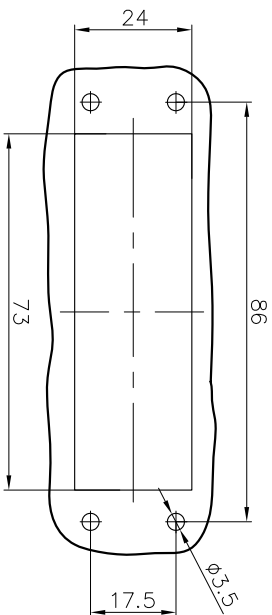
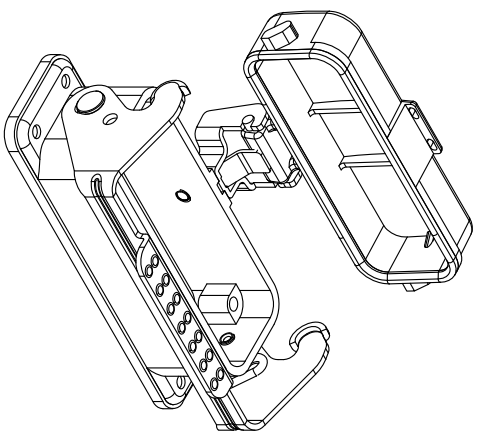
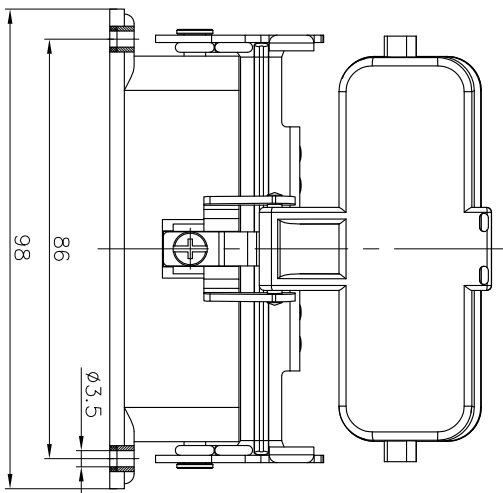
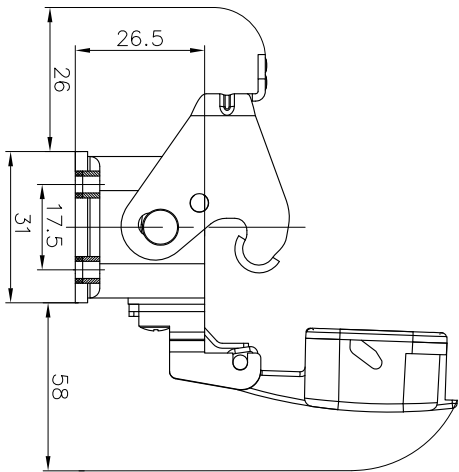


REVISION RECORD				
REV	ECN	DESCRIPTION	DRFT	DATE



Panel cut out

- Housings Feature
- 01. Material: aluminum die-cast
 - 02. Surface: Powder-coated
 - 03. Color: grey (RAL 7037)
 - 04. Material: Metal (Lever)
 - 05. Sealing: NBR
 - 06. Covers: Plastic
 - 07. Limiting temperatures: $-40^{\circ}\text{C} \sim +125^{\circ}\text{C}$
 - 08. Flammability acc to UL94: V0
 - 09. Degree of protection acc. to EN60529 for coupled connector: IP65
 - 10. Rohs compliance

DETACHED LISTS	
PART NO.:	DEGSON 宁波高松电子有限公司 NINGBO DEGSON ELECTRICAL CO., LTD
APPD:	NAME:
CHKD:	D16A-BK-1L-CV
DRFT:	TITLE: CUSTOMER DRAWING
THIRD ANGLE PROJECTION	DRAWING NO.:
	DO NOT SCALE DRAWING
	SCALE
	REV
	DO-1
	SHEET
	1/1
	SCALE
	1:1.5

A 8 7 6 5 4 3 2 1