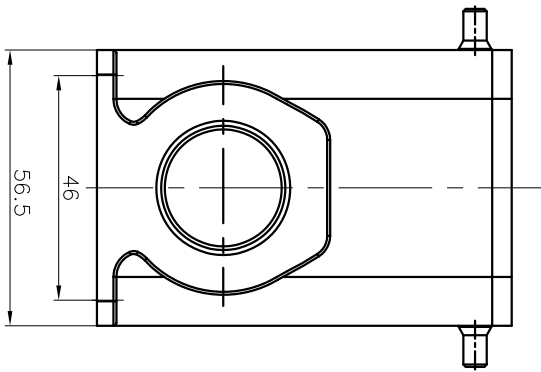
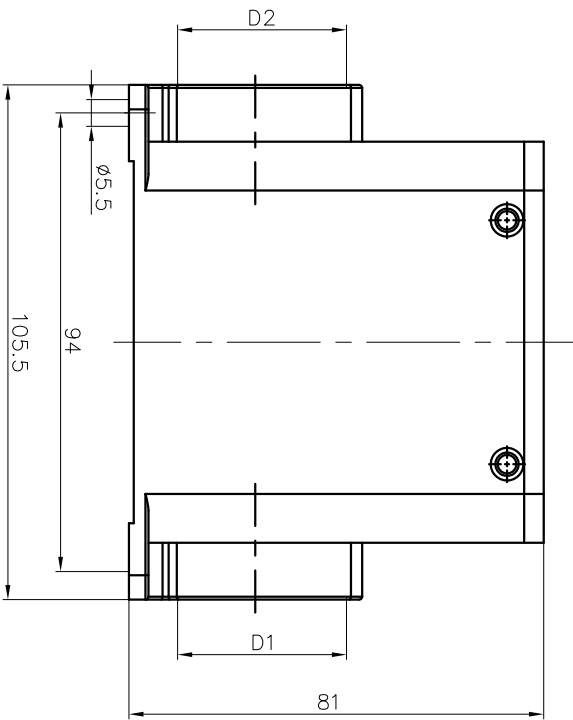
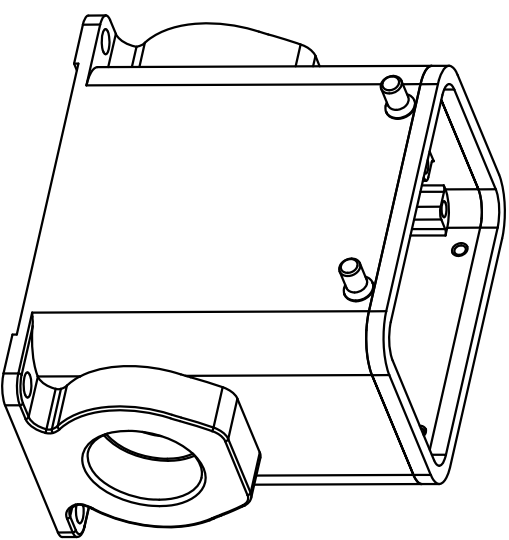



REVISION RECORD				
REV	ECN	DESCRIPTION	DRFT	DATE

TYPE	Thread		Selection
	D1	D2	
D32A-SF-4g-M25	M25	—	
D32A-SF-4g-M32	M32	—	
D32A-SF-4g-2M32	M32	M32	
D32A-SF-4g-PG21	PG21	—	
D32A-SF-4g-2PG21	PG21	PG21	
D32A-SF-4g-PG29	PG29	—	
D32A-SF-4g-2PG29	PG29	PG29	



- Housings Feature
01. Material: Aluminum die-cast
  02. Surface: Powder-coated
  03. Color: grey (RAL 7037)
  04. Limiting temperatures: -40°C~+125°C
  05. Sealing: NBR
  06. Flammability acc to UL94: V0
  07. Degree of protection acc. to EN60529 for coupled connector: IP65
  08. Rohs Compliance

DETACHED LISTS			
PART NO.:	 NINGBO DEGSON ELECTRICAL CO., LTD 宁波高松电子有限公司		
APPR:	NAME:		
CHKD:	D32A-SF-4g-M/PG		
DRFT: Mr. yong	TITLE: CUSTOMER DRAWING	REV: DO-1	DATE: 2016.08.15
THIRD ANGLE PROJECTION	DRAWING NO.:	SHEET: 1/1	SCALE: 1:1.5
	DO NOT SCALE DRAWING		

A 8 7 6 5 4 3 2 1