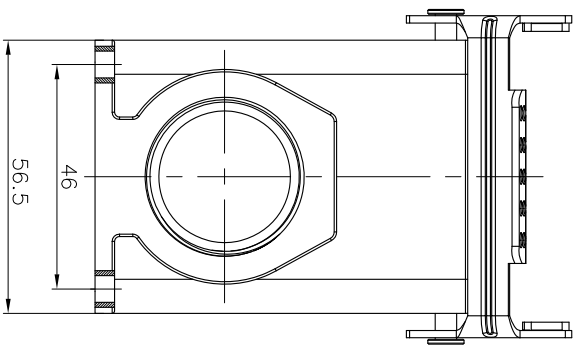
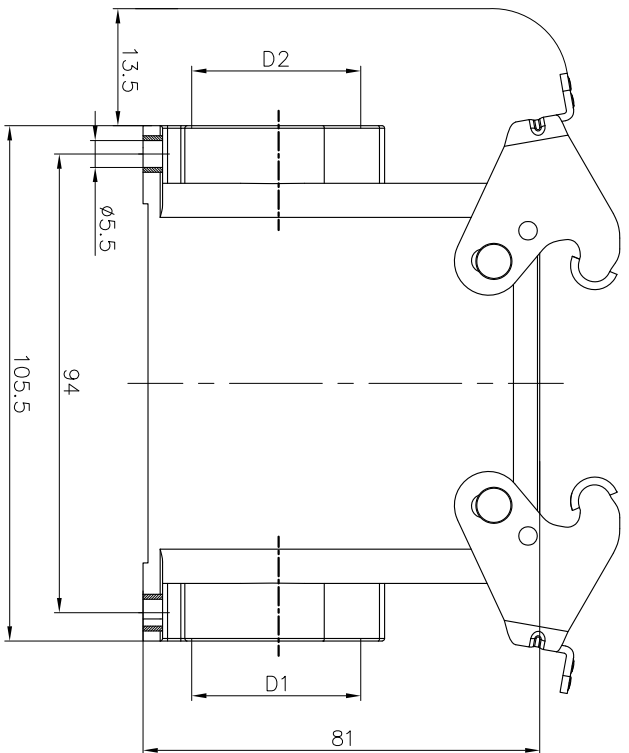
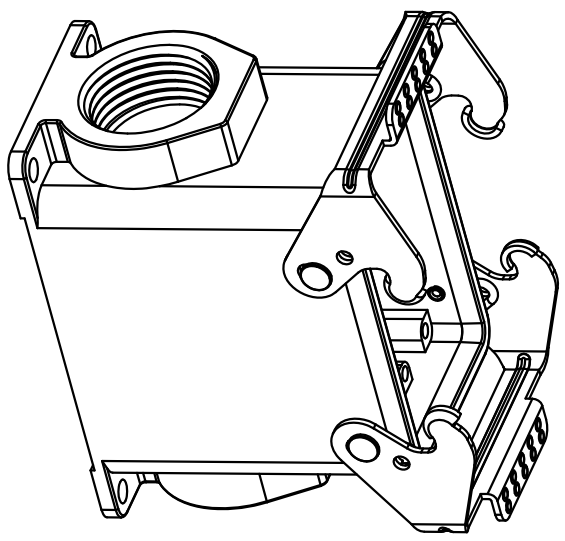



REVISION RECORD				
REV	ECN	DESCRIPTION	DRFT	DATE

TYPE	Thread		Selection
	D1	D2	
D32A-SF-2L-M25	M25	—	
D32A-SF-2L-M32	M32	—	
D32A-SF-2L-2M32	M32	M32	
D32A-SF-2L-PG21	PG21	—	
D32A-SF-2L-2PG21	PG21	PG21	
D32A-SF-2L-PG29	PG29	—	
D32A-SF-2L-2PG29	PG29	PG29	



- Housings Feature
01. Material: Aluminum die-cast
  02. Surface: Powder-coated
  03. Color: grey (RAL 7037)
  04. Material: Metal (Lever)
  05. Limiting temperatures: -40°C~+125°C
  06. Sealing: NBR
  07. Flammability acc to UL94: V0
  08. Degree of protection acc. to EN60529 for coupled connector: IP65
  09. Rohs Compliance

DETACHED LISTS				
PART NO.:	NAME:	 <b>NINGBO DEGSON ELECTRICAL CO., LTD</b> 宁波高松电子有限公司		
APPD:	D32A-SF-2L-M/PG			
CHKD:	TITLE:	CUSTOMER DRAWING	REV	DO-1
DRFT: Mr. yong	2016.08.15		SHEET	1/1
THIRD ANGLE PROJECTION		DO NOT SCALE DRAWING	SCALE	1:1.5