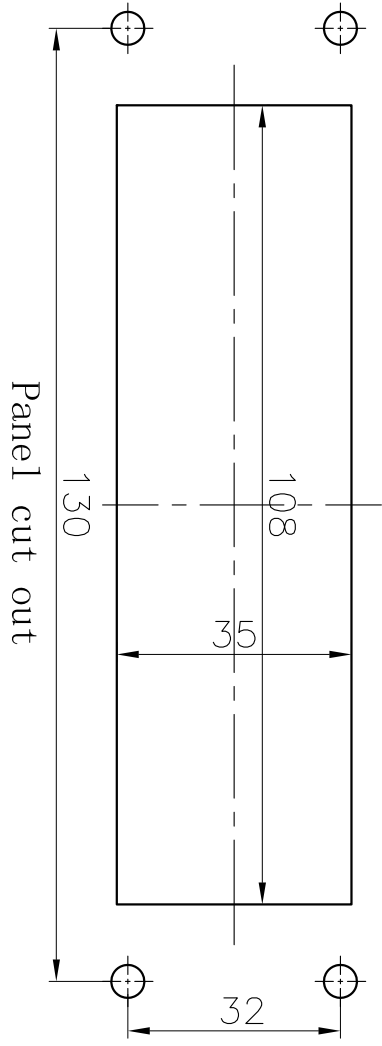
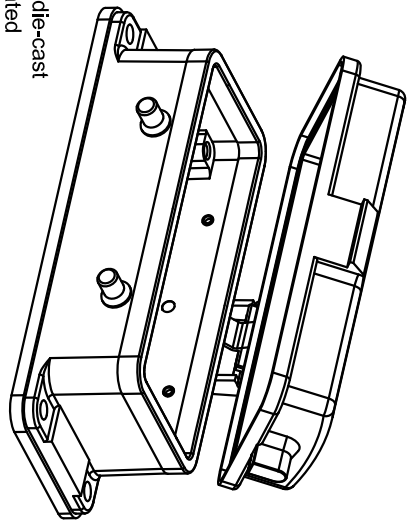
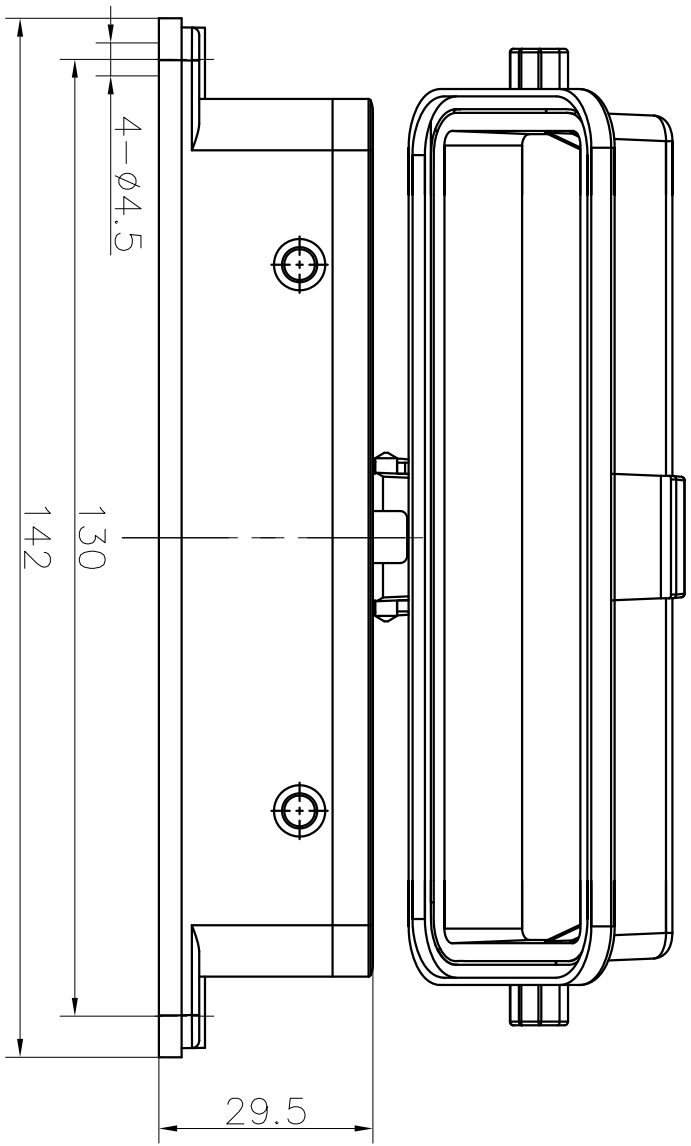
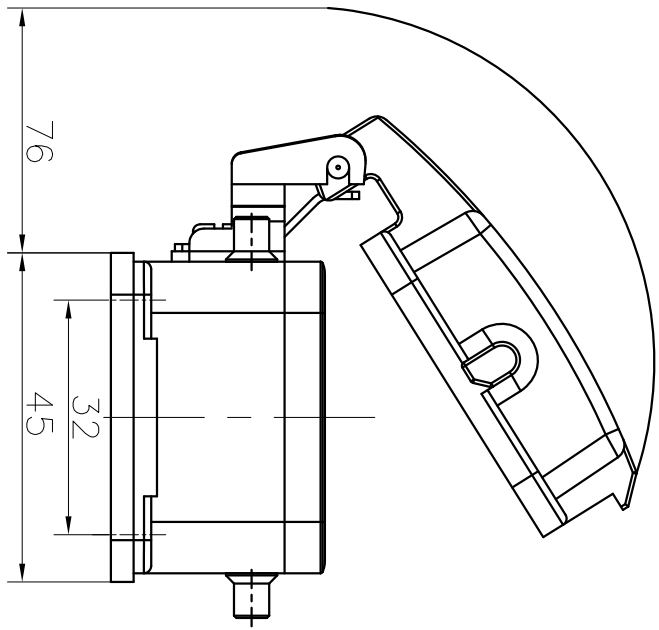


| REVISION RECORD | | | | |
|-----------------|-----|-------------|------|------|
| REV | ECN | DESCRIPTION | DRFT | DATE |
| | | | | |



Panel cut out

- Housings: Feature
- 01. Material: aluminium die-cast
 - 02. Surface: Powder-coated
 - 03. Color: grey (RAL 7037)
 - 04. Sealing: NBR
 - 05. Covers: Plastic
 - 06. Limiting temperatures: -40°C ~ +125°C
 - 07. Flammability acc to UL94: V0
 - 08. Degree of protection acc.to EN60529 for coupled connector: IP65
 - 09. Rohs compliance

| DETACHED LISTS | | | |
|----------------|---------------------|------------------------|---|
| PART NO.: | / | NAME: | DEGSON NINGBO DEGSON ELECTRICAL CO., LTD 宁波高松电子有限公司 |
| APPR: | | TITLE: | CUSTOMER DRAWING |
| CHKD: | | DRAWING NO.: | |
| DRFT: | Mr. yong 2017/06/28 | THIRD ANGLE PROJECTION | DO NOT SCALE DRAWING |
| REV | DO-1 | SHEET | 1/1 |
| SCALE | 1:1 | | |

A 8 7 6 5 4 3 2 1