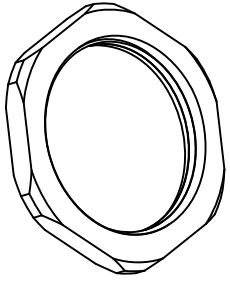
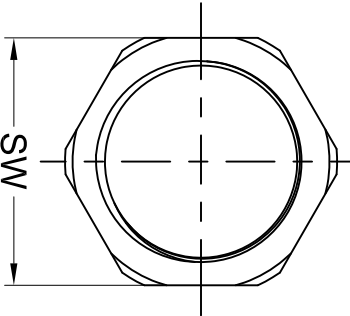
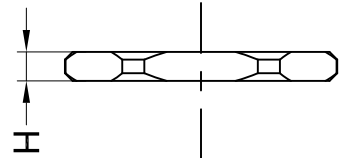


| REVISION RECORD |     |             |      |      |
|-----------------|-----|-------------|------|------|
| REV             | ECN | DESCRIPTION | DRFT | DATE |
|                 |     |             |      |      |

| Metric | PG      | Thickness (H) | SW | Type        |
|--------|---------|---------------|----|-------------|
|        | Pg7     | 2.5           | 14 | DLM-PG7M    |
|        | Pg9     | 2.8           | 18 | DLM-PG9M    |
|        | Pg11    | 3.0           | 20 | DLM-PG11M   |
|        | Pg13.5  | 3.0           | 23 | DLM-PG13.5M |
|        | Pg16    | 3.0           | 24 | DLM-PG16M   |
|        | Pg21    | 3.5           | 31 | DLM-PG21M   |
|        | Pg29    | 4.0           | 40 | DLM-PG29M   |
|        | Pg36    | 5.0           | 52 | DLM-PG36M   |
|        | Pg42    | 5.0           | 58 | DLM-PG42M   |
|        | Pg48    | 5.5           | 64 | DLM-PG48M   |
|        | M12x1.5 | 2.5           | 14 | DLM-M12M    |
|        | M16x1.5 | 2.8           | 18 | DLM-M16M    |
|        | M20x1.5 | 3.0           | 22 | DLM-M20M    |
|        | M25x1.5 | 3.0           | 27 | DLM-M25M    |
|        | M32x1.5 | 3.5           | 35 | DLM-M32M    |
|        | M40x1.5 | 4.5           | 43 | DLM-M40M    |
|        | M50x1.5 | 5.0           | 55 | DLM-M50M    |
|        | M63x1.5 | 5.5           | 68 | DLM-M63M    |



Metal lock nut  
 Material: Brass nickel plated  
 Temperature range: -40~100°C

| DETACHED LISTS         |                    |                      |   |
|------------------------|--------------------|----------------------|---|
| PART NO.:              | /                  | NAME:                | <b>DEGSON</b> ® NINGBO DEGSON ELECTRICAL CO., LTD<br>宁波高松电子有限公司 |
| APPD:                  |                    | TITLE:               | Metal lock nut  |
| CHKD:                  |                    | DRAWING NO.:         |   |
| DRFT:                  | Mr. Yang2016.08.18 |                      |   |
| THIRD ANGLE PROJECTION |                    | DO NOT SCALE DRAWING |   |
| SCALE                  | 1/1                | REV                  | DO-1  |