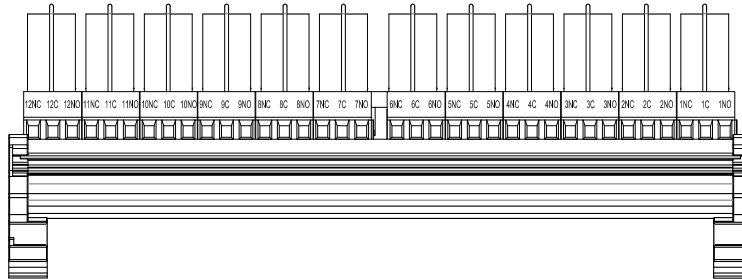
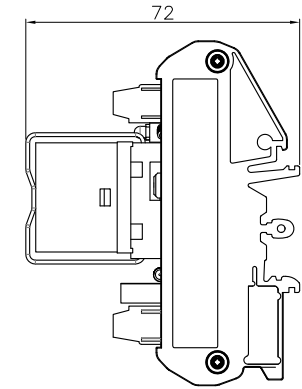
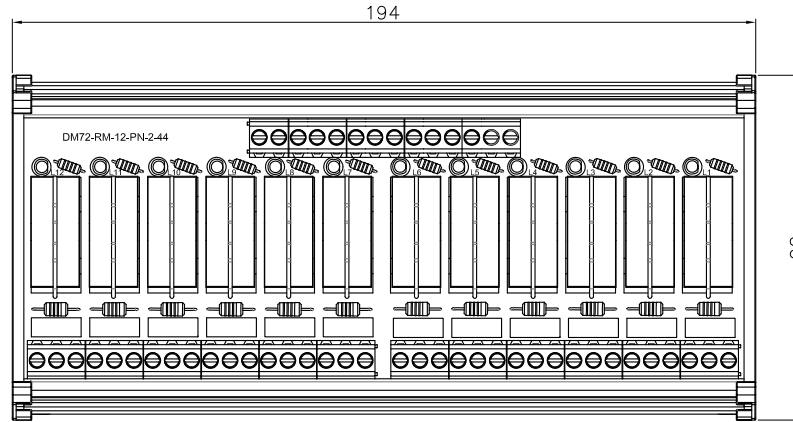
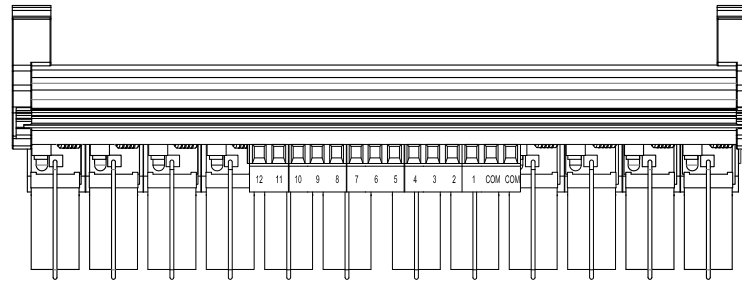


REVISION RECORD				
REV	ECN	DESCRIPTION	DRFT	DATE



Specifications

Rated voltage	DC24V
Rated current	22mA
Output Voltage	250V/AC,30V/DC;
output current	10A
contact structure	1CO
Model	12
Signal input method	PNP+NPN
Mechanical life	AC $\geq 10^7$ , DC $\geq 2 \times 10^7$ ;
Electrical life	$\geq 10^5$
Temperature range	- 25℃ ~ +55℃
Status Indicator	YES
Connector digits	/
Stripping Length	6-7mm
Terminal torque	0.4Nm (3.54Lb-In)
Input port/wire diameter	DG500-5.08/1.0-2.5mm <sup>2</sup> /24-12AWG
Output port/wire diameter	DG500-5.08/1.0-2.5mm <sup>2</sup> /24-12AWG
Installation Method	35mmDIN

DETACHED LISTS	PART NO.:	宁波高松电子有限公司 NINGBO DEGSON ELECTRICAL CO., LTD		
	APPD:	NAME: <b>DM72-RM-12-PN-2-44-1XA(H)</b>		
	CHKD:	TITLE: <b>ASSEMBLY DRAWING</b>		
	DRFT:	DRAWING NO.: <b>DM72-RM-E24</b> DO NOT SCALE DRAWING	REV	SHEET
THIRD ANGLE PROJECTION		SCALE	<b>1:1</b>	