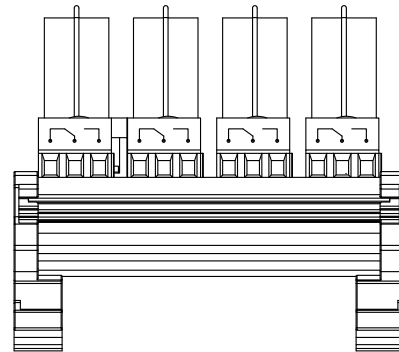
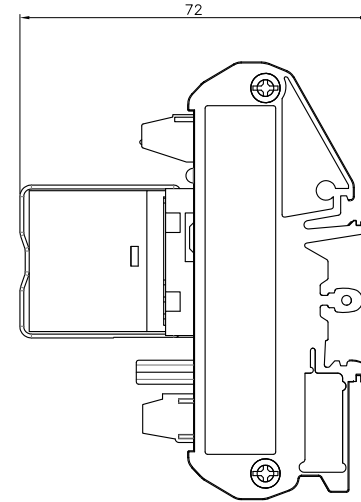
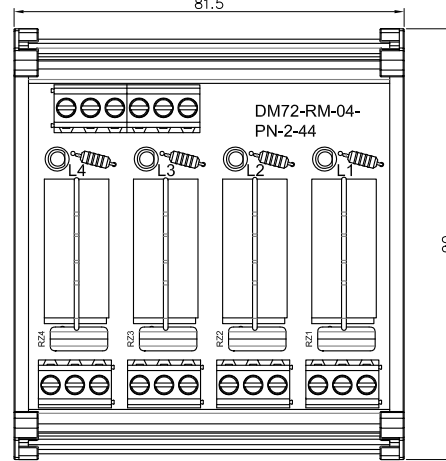
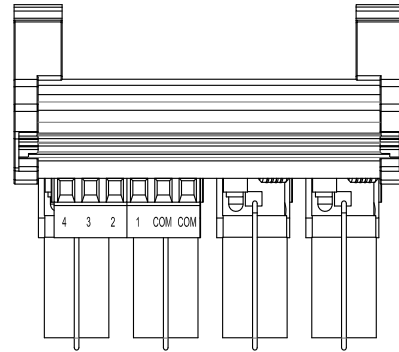



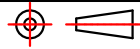
REVISION RECORD

REV	ECN	DESCRIPTION	DRFT	DATE



Specifications

Rated voltage	DC24V
Rated current	22mA
Output Voltage	250V/AC,30V/DC;
output current	16A
contact structure	1CO
Model	4
Signal input method	PNP+NPN
Mechanical life	AC $\geq 10^7$, DC $\geq 2 \times 10^7$;
Electrical life	$\geq 10^5$
Temperature range	- 25℃ ~ +55℃
Status Indicator	YES
Connector digits	/
Stripping Length	6-7mm
Terminal torque	0.4Nm (3.54Lb-In)
Input port/wire diameter	DG500-5.08/1.0-2.5mm ² /24-12AWG
Output port/wire diameter	DG500-5.08/1.0-2.5mm ² /24-12AWG
Installation Method	35mmDIN

DETACHED LISTS	PART NO.:	 宁波高松电子有限公司 NINGBO DEGSON ELECTRICAL CO., LTD		
	APPD:	NAME: DM72-RM-04-PN-2-44-10XA(H)		
	CHKD:	TITLE: ASSEMBLY DRAWING		
	DRFT:	DRAWING NO.: DM72-RM-E14	REV	
	 THIRD ANGLE PROJECTION	DO NOT SCALE DRAWING	SHEET	1/1
MM (INCH)	SCALE	1:1		