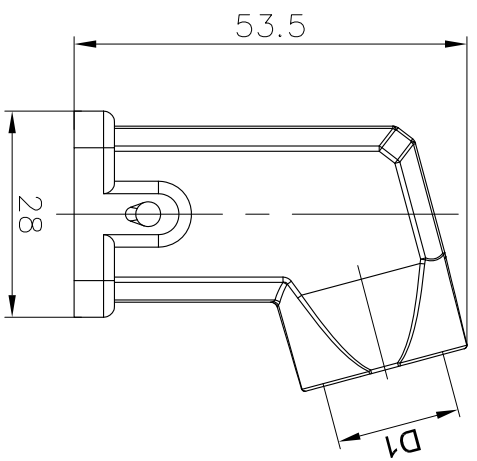
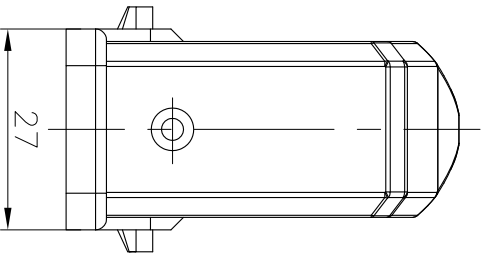
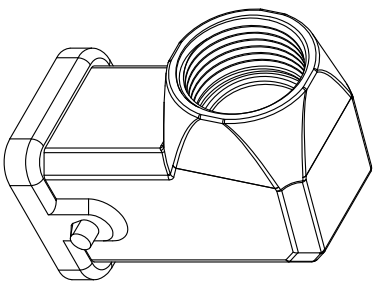


REVISION RECORD				
REV	ECN	DESCRIPTION	DRFT	DATE

TYPE	Thread(D1)	Selection
D3A-SF-2g-PG11	PG11	
D3A-SF-2g-M20	M20	



Hoods Feature

1. Material: Zinc die-cast
2. Surface: Powder-coated
3. Color: grey (RAL 7037)
4. Limiting temperatures: -40°C ~ +125°C
5. Flammability acc to UL94: V0
6. Degree of protection acc. to EN60529 for coupled connector : IP65
7. Rohs compliance

DETACHED LISTS			
PART NO.:	DEGSON ®	NAME:	NINGBO DEGSON ELECTRICAL CO., LTD
APPD:			宁波高松电子有限公司
CHKD:			
DRFT: Mr. yong	2017/06/28	TITLE:	CUSTOMER DRAWING
		DRAWING NO.:	
		REV	DO-1
		SHEET	1/1
		SCALE	1:1
THIRD ANGLE PROJECTION		DO NOT SCALE DRAWING	