

REVISION RECORD				
REV	ECN	DESCRIPTION	DRFT	DATE

Technical characteristics:
 Specifications
 DIN EN 60 664
 DIN EN 61 984

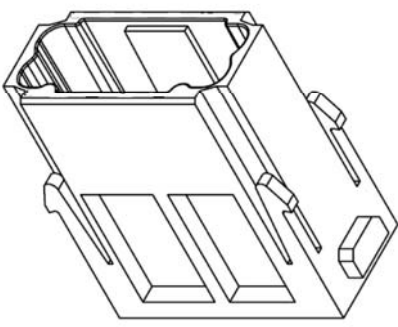
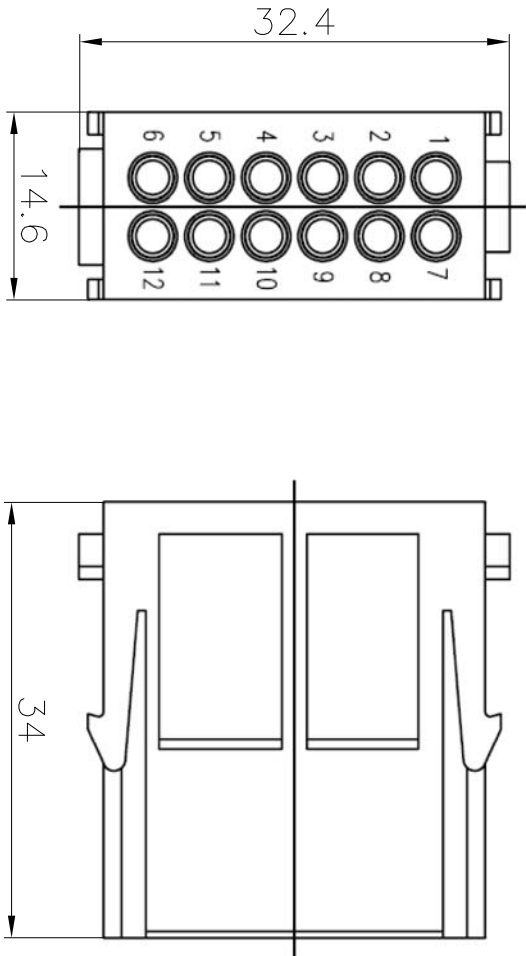
Inserts

- 01. Number of contacts : 12
- 02. Rated Current : 10A
- 03. Rated Voltage : 250V
- 04. Pollution degree : 3
- 05. Rated impulse voltage : 4kV¹⁰
- 06. Insulation resistance : $\geq 10^9 \Omega$
- 07. Material : Polycarbonate
- 08. Rated voltage acc. to UL : 600V
- 09. Limiting temperatures : -40°C ~ +125°C
- 10. Flammability acc. to UL94 : V0
- 11. Mechanical working life (mating cycles) : ≥ 500

Contacts

- 01. Material : Copper alloy
- 02. Surface : hard-silver plated
- 03. Contact resistance : $\leq 3m\Omega$
- 04. Terminal : Crimp terminal
- 05. Wire gauge : 0.14-2.5mm² (AWG 26-14)
- 06. Rohs Compliance

Note: Crimp contact pins should order separately



DETACHED LISTS			
PART NO.:	/	NINGBO DEGSON ELECTRICAL CO., LTD	
APPD:		宁波高松电子有限公司	
CHKD:		DMD-012-MC	
DRFT:	YANG	2016.08.22	TITLE: CUSTOMER DRAWING
THIRD ANGLE PROJECTION		DRAWING NO.:	DMD-012-MC-E01
		SCALE:	DO NOT SCALE DRAWING
		REV	DO-1
		SHEET	1/1

A 8 7 6 5 4 3 2 1