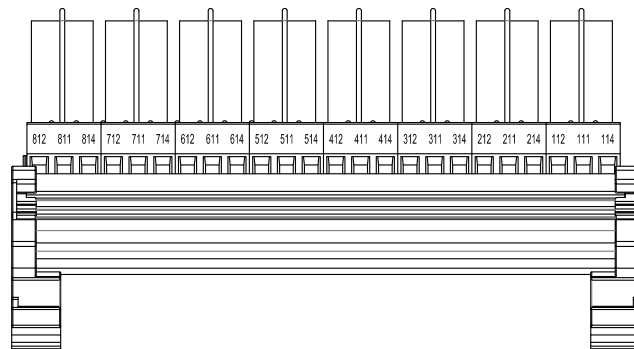
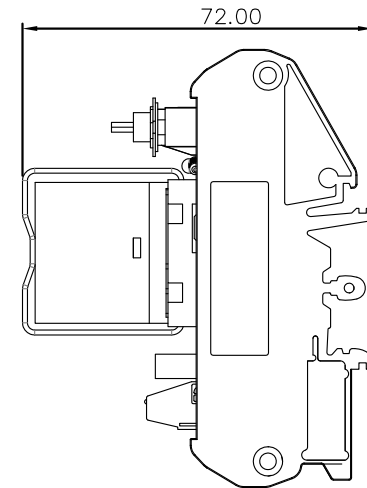
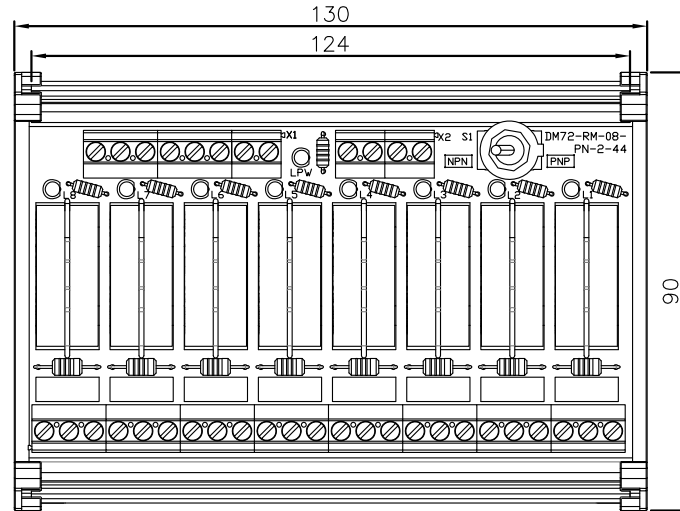
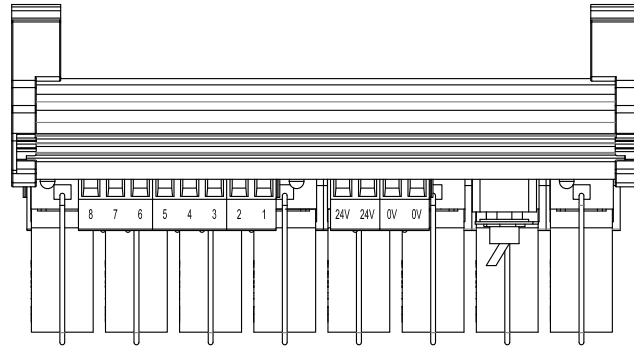


REVISION RECORD

REV	ECN	DESCRIPTION	DRFT	DATE
-----	-----	-------------	------	------



Specifications	
Rated voltage	DC24V
Rated current	22mA
Output Voltage	250V/AC,30V/DC;
output current	16A
contact structure	1C0
Model	8
Signal Input method	PNP+NPN
Mechanical life	AC $\geq 10^7$, DC $\geq 2 \times 10^7$;
Electrical life	$\geq 10^5$
Temperature range	-25°C ~ +55°C
Status Indicator	YES
Connector digits	/
Stripping Length	6-7mm
Terminal torque	0.4Nm (3.54Lb-In)
Input port/wire diameter	D6500-5.08/1.0-2.5mm ² /24-12AWG
Output port/wire diameter	D6500-5.08/1.0-2.5mm ² /24-12AWG
Installation Method	35mmDIN

DETACHED LISTS	PART NO.:	宁波高松电子有限公司 NINGBO DEGSON ELECTRICAL CO., LTD		
	APPD:	NAME: DM72-RM-08-PN-2-44-0XAH		
	CHKD:	TITLE: ASSEMBLY DRAWING		
	DRFT:	DRAWING NO.: DM72-RM-E31	REV	1/1
	THIRD ANGLE PROJECTION		DO NOT SCALE DRAWING	SCALE: 1:1