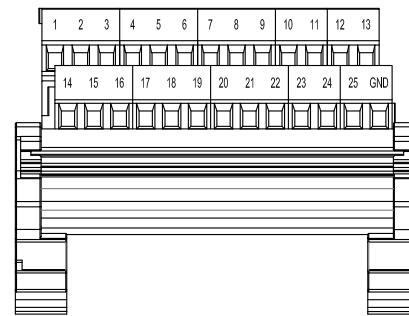
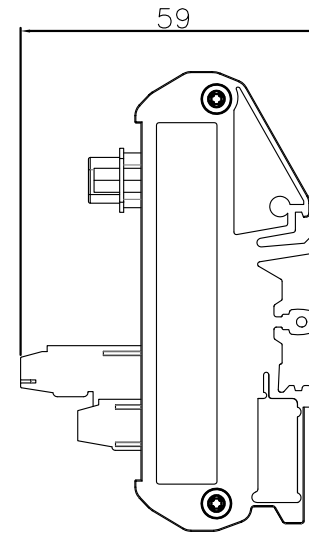
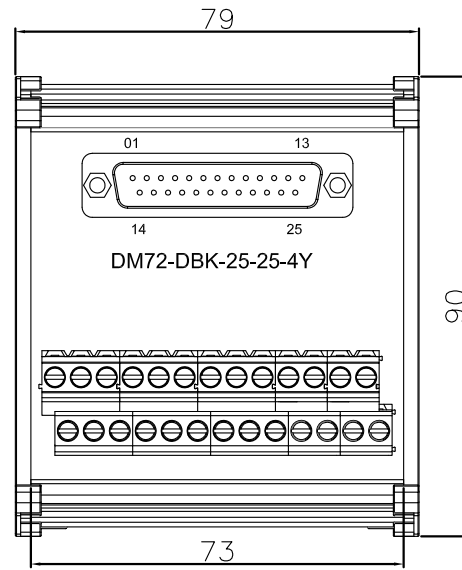


REVISION RECORD

REV	ECN	DESCRIPTION	DRFT	DATE



Specifications	
Rated voltage	DC24V
Rated current	1A
Status display	no
Connector digits	25
Stripping Length	7mm
Terminal torque	0.4Nm (3.54Lb-In)
Input port/wire diameter	D-SUB 25P Male
Output port/wire diameter	DC500-5.08/ 1.0-2.5mm ² /24-12AWG
Temperature range	-25℃ ~ +55℃
Installation Method	35#DIN

DETACHED LISTS	PART NO.:	宁波高松电子有限公司 NINGBO DEGSON ELECTRICAL CO., LTD		
	APPD:	NAME: DM72-DBK-25-25-4Y-XXAH		
	CHKD:	TITLE: ASSEMBLY DRAWING		
	DRFT:	DRAWING NO.: DM72-DBK-E03	REV	1/1
	THIRD ANGLE PROJECTION		DO NOT SCALE DRAWING	SCALE