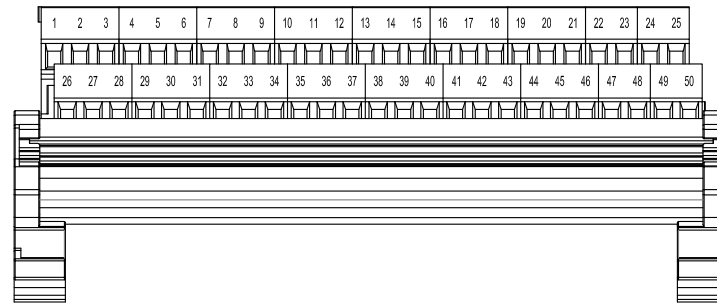
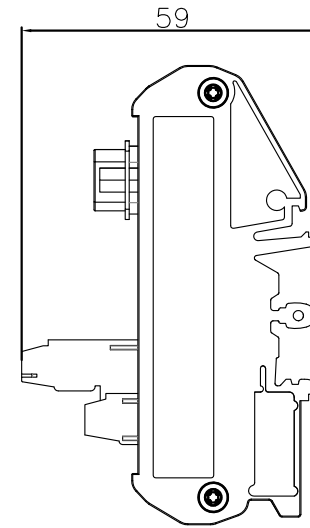
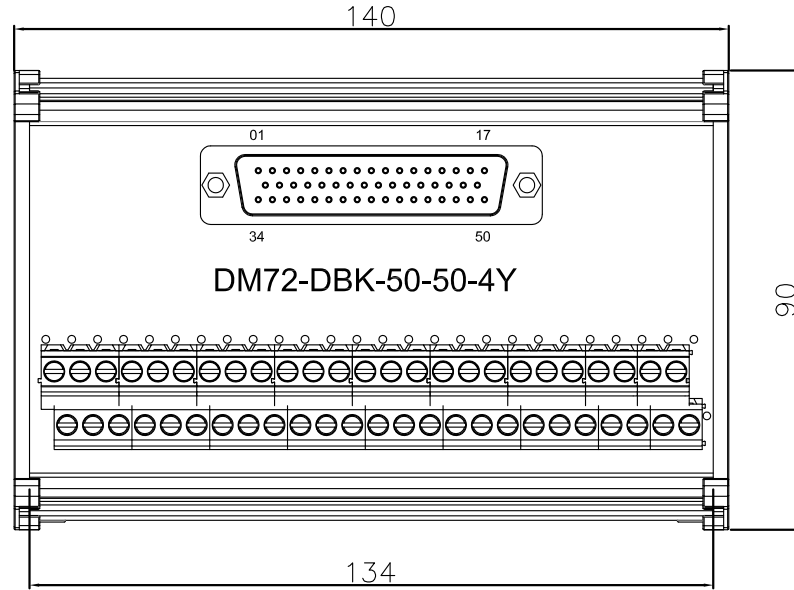


REVISION RECORD

REV	ECN	DESCRIPTION	DRFT	DATE
-----	-----	-------------	------	------



Specifications	
Rated voltage	DC24V
Rated current	1A
Status display	no
Connector digits	50
Stripping Length	7mm
Terminal torque	0.4Nm (3.54Lb-In)
Input port/wire diameter	D-SUB 50P Male
Output port/wire diameter	DC500-5.08/
Temperature range	1.0-2.5mm ² /24-12AWG; - 25 °C ~ +55 °C
Installation Method	35#DIN

DETACHED LISTS	PART NO.:	宁波高松电子有限公司 NINGBO DEGSON ELECTRICAL CO., LTD		
	APPD:	NAME: DM72-DBK-50-50-4Y-XXAH		
	CHKD:	TITLE: ASSEMBLY DRAWING		
	DRFT:	DRAWING NO.: DM72-DBK-E05	REV	
	THIRD ANGLE PROJECTION		SHEET 1/2	SCALE 1:1
DO NOT SCALE DRAWING				