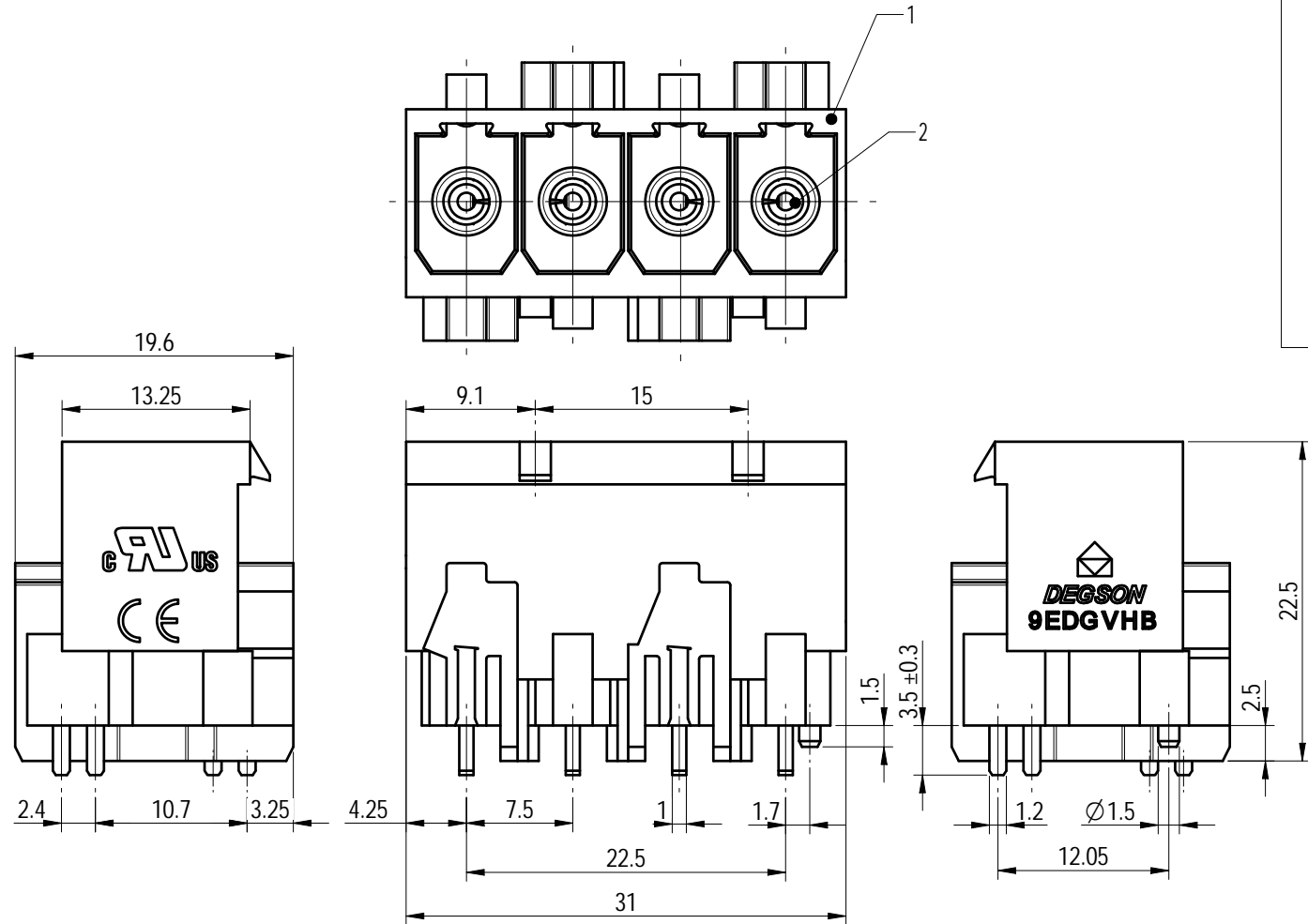
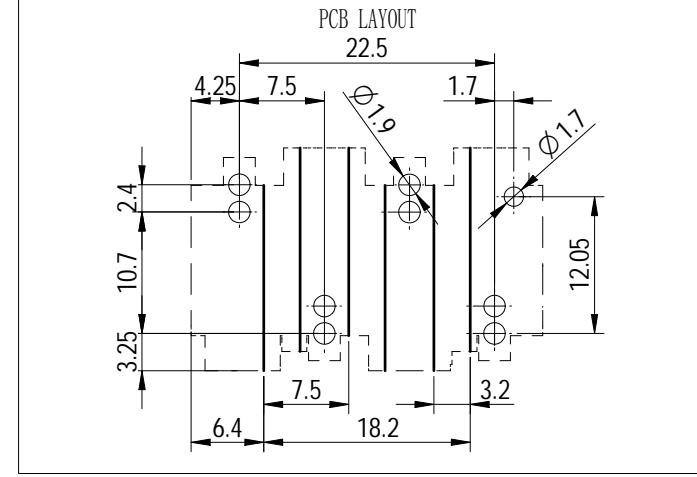


Transfer or duplication of this document as well as the utilization or communication of its content are prohibited unless authorized in writing by the copyright owner. All rights reserved for patent, utility model or design registrations. 除专利等明确标注外，否则禁止非法、复制、引用、分发本文件的程序、数据、图形、标志等。未经权利人许可，不得复制或传播本文件内容。

未注公差/General tolerances (mm)													0.1/10 ±2'
0	>3	>6	>10	>18	>30	>50	>80	>120	>180	>250	>315	>400	
±0.12	±0.18	±0.22	±0.26	±0.31	±0.37	±0.57	±0.80	±0.93	±1.05	±1.15	±1.60	±2.20	±2.50



ITEM	NAME OF PART	MATERIAL	NOTES
2	Pin	Copper	Sn Plated
1	Housing	PA66	UL94V-0
UL 标准/UL Standard:		B	C
额定电压/电流/Rated Voltage(V)/Current(A)		600/40	600/40
		F	
		600/40	
IEC 标准/IEC Standard:		III/3	III/2
过压类别/Overvoltage Category/污染等级/Pollution Degree		1000/35	1000/35
额定电压/电流/Rated Voltage(V)/Current(A)		8	8
额定脉冲电压(KV)/Rate Impulse Voltage(KV)		-40~+105	
使用温度范围/Operating temperature(°C)		符合RoHS环保要求/Conform to RoHS	
		Yes	

DEGSON		MATERIAL:	SURFACE/COLOR:
		MAT NO./REV: - / 00	MAT STATUS: 批量
APPD: 兰春华	2024.06.07	NAME	
CHKD: 曹利彬	2024.06.07	9EDGVHB-7.5-04P-1Y-00Z(H)	
DRFT: 陈迪辉	2024.06.07	DRAWING NO.	TYPE
		200126634	CUSTOMER DRAWING
		DRAWING STATUS	SCALE
		已发布	2:1
		SHEET	1/1

REV	ECN	DESCRIPTION	DRFT	DATE
01			陈迪辉	2024.06.07

