

DPSV系列 DPSV Series

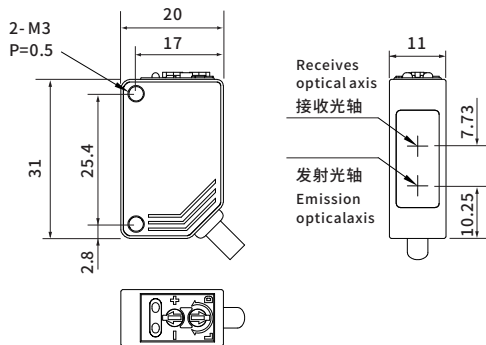


型号 Model	
NPN	DPSV-D30N
PNP	DPSV-D30P
基本特点 Basic Features	
工作原理 Working principle	光电传感器 Photoelectric Sensors
外壳样式 Enclosure style	方型 Square
光学工作原理 How optics work	漫反射 Reflection 限定反射型 Limited Reflection Type
检测距离 Detection distance	10~300mm
光斑尺寸 Spot size	不适用(红外光) N/A (Infrared)
检测物 Detection	/
光源 Light source	红外LED940nm(调制) Infrared LEDs 940nm (modulated)
指示灯 Light	输出功能: 红色 LED, 运行状态: 绿色 LED Output function: red LED, operating status: green LED
灵敏性调节 Sensitivity regulation	1 圈电位器 1-turn potentiometer
电气数据 Electrical Data	
开关模式 Switch mode	Light.on (入光动作) / D.on (遮光动作) 可切换 Light.on (Light Action) / D.on (shading action) Switchable
输出模式 Output mode	NPN或PNP集电极开路 NPN or PNP open collector
响应时间 Response time	1ms
开关频率 Switching frequency	2 kHz
重复精度 Repeatability	≤5%
迟滞(回差/应差) Hysteresis/ Return Response	≤20%
工作电压 Operating voltage	10~30V DC
消耗电流 Current consumption	≤25mA
残余电压 Residual voltage	≤1.5V (100mA)
负载电流 Load current	≤100mA (30VDC)
绝缘电阻 Insulation resistance	电源端子与外壳之间 ≥50MΩ (500VDC) 50MΩ (500VDC) ≥ between power terminal and housing
耐压 Resistance	1000VAC (50/60Hz), 1 分钟电源端子和外壳之间 1000VAC (50/60Hz), 1 minute between power terminal and housing
保护电路 Protection circuits	电源反极性保护/输出反极性保护/浪涌保护/短路保护 Power Reverse Polarity Protection/Output Reverse Polarity Protection/Surge Protection/Short Circuit Protection
环境条件 Environmental Conditions	
工作环境温度 Operating ambient temperature	-25~55°C (无冻结) -25~55°C (no freezing)
储存温度 Storage temperature	-30~70°C (不结冰) -30~70°C (non-icing)
工作环境湿度 Humidity of the working environment	35~85%RH (无凝露) 35~85%RH (no condensation)
储存湿度 Store humidity	35~95%RH (无凝露) 35~95%RH (no condensation)
环境照度 Ambient illumination	LED灯 ≤600 Lux LED light ≤ 600 Lux
抗振性 Anti-vibration	10~50Hz, 1.5mm 振幅, X、Y、Z 三个方向各2h 10~55Hz sweep, 1.5mm amplitude, XYZ 3 directions for 2 hours each
防护等级 Ingress protection	IP65
机械数据 Mechanical Data	
最大拧紧扭矩 Maximum tightening torque	≤0.5Nm
连接方式 Connection	2m/3芯电缆 2m/3 core cable
尺寸(宽x高x深) Size	11.0x31.0x20.0mm
材料 Material	PBT+玻璃纤维 PBT + fiberglass
重量 Weight	0.05kg
配件 Fittings	螺丝刀 Screwdriver

DPSV系列 DPSV Series

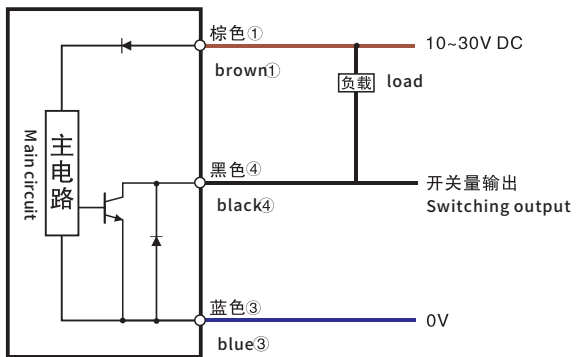
尺寸规格 Dimensions

DPSV-D30


 单位: mm
 Unit: mm

接线示意图 Wiring Diagram

NPN输出 NPN output



PNP输出 PNP output

