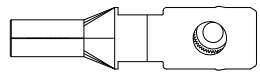
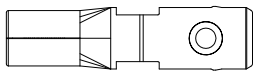


锁板螺钉



30A 载流体4PCS 散装

锁铜排螺钉



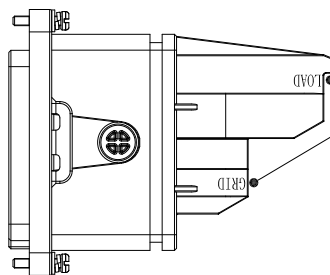
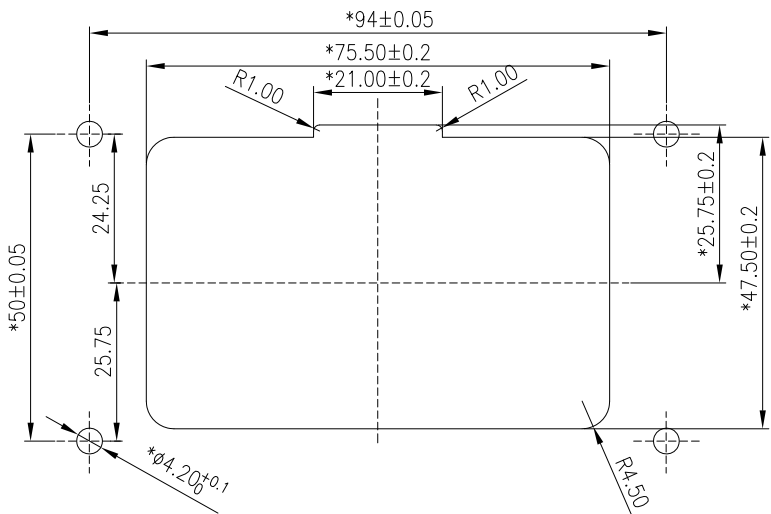
65A 载流体6PCS 散装

锁铜排螺钉 02

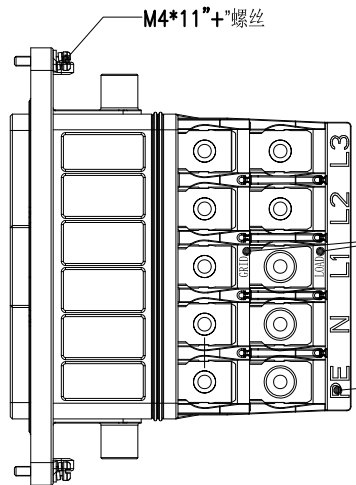


M4*8
10PCS 装一袋

建议开孔尺寸

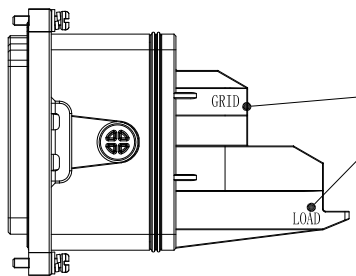


01
激光打标
字体: TTF字体Arial
字高: 3mm



激光打标
字体: TTF字体Arial
字高: 3mm

01
激光打标
字体: TTF字体Arial
字高: 5mm



01
激光打标
字体: TTF字体Arial
字高: 3mm

尺寸公差(mm)					电子线长度尺寸公差(mm)					0.05/10 ±T
0 ~ 30	>30 ~ 60	>60 ~ 100	>100 ~ 150	>150	0 ~ 50	50 ~ 150	150 ~ 300	300 ~ 1000	>1000	
±0.20	±0.30	±0.50	±0.70	±1.00	±5	±10	±15	±25	±35	

额定电压/电流/Rated Voltage(V)/Current(A)	600V/ 65A/30A
绝缘电阻/Insulation Resistance	100MΩ
耐电压/Withstanding Voltage	2.2KV
接触阻抗/Contact Resistance	≤4.5mΩ
接线范围/Clamping range	8AWG(50A)/10AWG(25A)
防水等级/Levels of protection	IP66
使用温度范围/Operating temperature(°C)	-40~+125°C
符合RoHS环保要求/Conform to RoHS	Yes

		MATERIAL: /	SURFACE/COLOR: /		
MAT NO./REV: 20140000054/00		MAT STATUS: /			
NAME PV-AC-F-PS-10P-65A-6-01Z (H)					
DRFT: YU JH 2024.06.05	DRAWING NO. 200108029	TYPE PRODUCT DRAWING	DRAWING STATUS /	SCALE 1:1	SHEET 1/1

02		更新载流体螺丝	YU JH	2024.10.08	APPD:	
01		更新激光打标	YU JH	2024.08.27	CHKD:	
00					DRFT:	YU JH 2024.06.05
REV	ECN	DESCRIPTION	DRFT	DATE		

Transfer or duplication of this document as well as the utilization or communication of its contents are prohibited unless explicit authorization is granted. Violations will be liable for compensation. All rights reserved for patent, utility model or designers registrations. 未经许可不得复制或传播。 未经授权不得复制或传播。 侵权必究。 侵权必究。