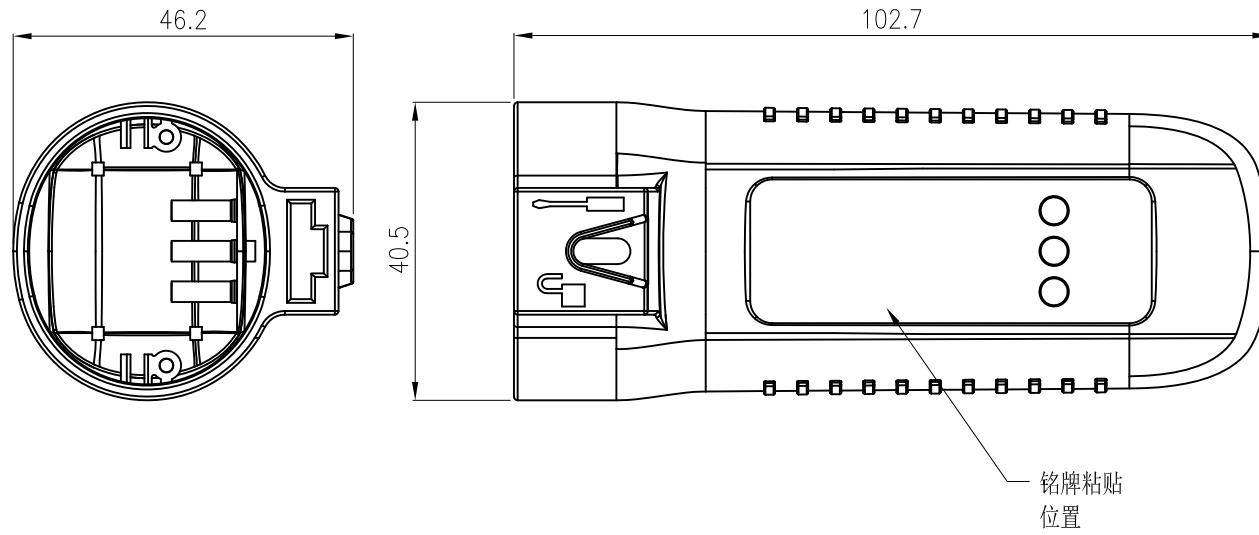


Transfer or indication of this document as well as the publication or communication of its contents are prohibited unless explicit authorizations are granted. All rights reserved for current, valid model or design requirements. 非经许可擅自复制或传播, 否则侵权必究。 保留所有权利。 未经许可擅自复制或传播, 侵权必究。 保留所有权利。

Dimensional tolerance(mm)					Length tolerance(mm)				0.10/10 /
0	>30	>60	>100	>150	0	5000	10000	>30000	
~30	~60	~100	~150		5000	10000	30000		
±0.25	±0.35	±0.55	±0.80	±1.10	±55	±105	±205	±505	
插拔次数/Mechanical working life(mating cycles)					100				
使用温度范围/Operating temperature(°C)					-40~+85				
防护等级/Ingress Protection					IP66(Mated)				
符合RoHS环保要求/Conform to RoHS					Yes				



03		图面更新	YZH	2024.04.24		MATERIAL:	/	SURFACE/COLOR:	/
02		对插面加深了5mm, 整体长度增加了5mm	YZH	2024.04.18		APPD:	/	/	MAT NO./REV:
01		增加工具解锁结构, 调整贴铭牌区域尺寸	YJH	2024.04.12	CHKD:	/	/	MAT STATUS:	/
REV	ECN	DESCRIPTION	DRFT	DATE	DRFT:	Yuan ZH	2024.03.16	NAME PV-ST-US-MF-PSC-01P-6-00Z (H)	
					DRAWING NO.	/	TYPE CUSTOMER DRAWING	DRAWING STATUS	SCALE
								/	1:1
									SHEET 1/1