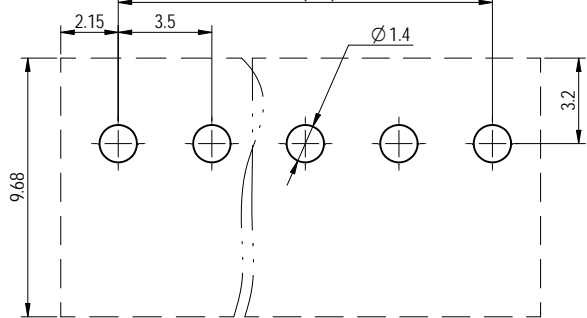


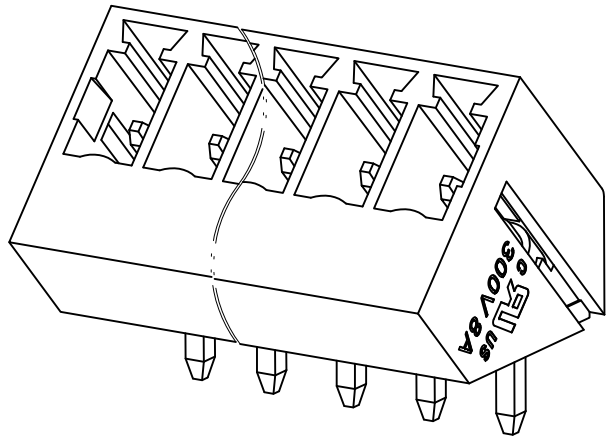
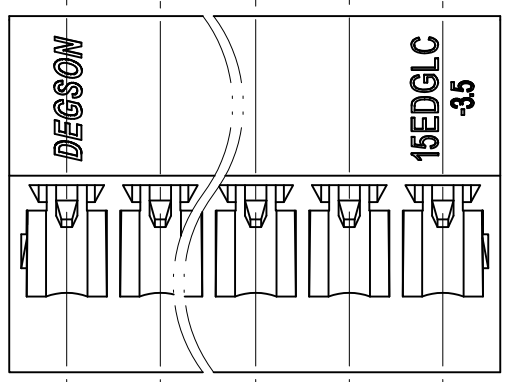
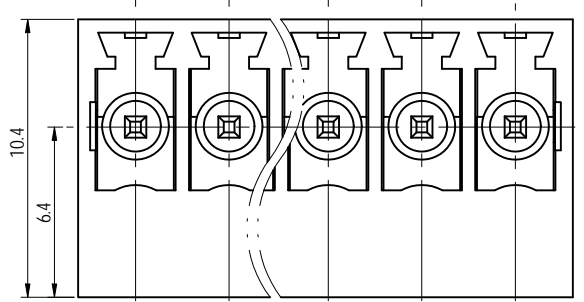
PCB LAYOUT

3.5x(N-1)

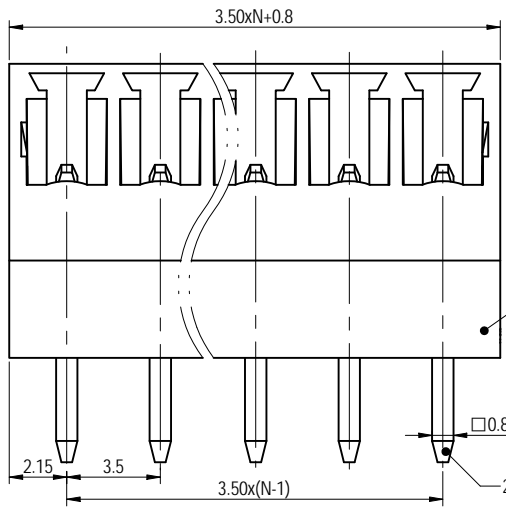
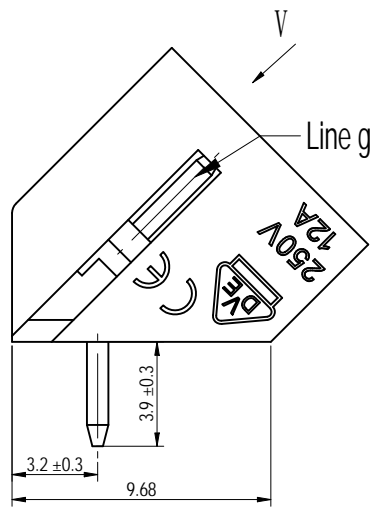


公差/General tolerances (mm)											D			
0	>3	>6	>10	>18	>30	>50	>80	>120	>180	>250	>315	>400	>500	0.1/10
~	3	6	10	18	30	50	80	120	180	250	315	400	500	N
±0.12	±0.18	±0.22	±0.26	±0.31	±0.37	±0.57	±0.80	±0.93	±1.05	±1.15	±1.60	±2.20	±2.50	±2

ViVe V



Line greater than 6P, NO slots



Note:
The A&Z(H) in the name means: A(H) and Z(H).

ITEM	NAME OF PART	MATERIAL	NOTES
2	Pin	Copper Alloy	Sn Plated
1	Housing	PA66	UL94V-0

UL 标准/UL Standard:	B	C	D
额定电压/电流/Rated Voltage(V)/Current(A)	300/8	/	300/8
IEC 标准/IEC Standard:			
过压类别/Overvoltage Category/污染等级/Pollution Degree	III/3	III/2	II/2
额定电压/电流/Rated Voltage(V)/Current(A)	/	/	250/12
额定脉冲电压(KV)/Rate Impulse Voltage(KV)	/	/	2.5
间距/Pitch(mm)/线数范围/Poles	3.81/N=02-24P		
使用温度范围/Operating temperature(°C)	-40~+105		
符合RoHS环保要求/Conform to RoHS	Yes		
标准颜色编号/Standard color number: PANTONE / RAL	/		

	MATERIAL:	SURFACE/COLOR:		
	MAT NO./REV: - / 00	MAT STATUS: 批量		
APPD: 竺春华	2022.10.09	NAME		
CHKD: 袁耀志	2022.10.09	15EDGLC-3.5-XXP-1Y-00A&Z(H)		
DRFT: 方哲盛	2022.10.08	DRAWING NO.	TYPE	DRAWING STATUS
		200019404	CUSTOMER DRAWING	已发布
		SCALE	SHEET	
		5:1	1/1	

REV	ECN	DESCRIPTION	DRFT	DATE
00			方哲盛	2022.10.08

Transfer or duplication of this document as well as the utilization of its contents without the written consent of DEGSON is prohibited. All rights reserved for patent. 复制或再行发布此文件以及其内容之利用，未经DEGSON书面同意，均属侵权行为。DEGSON保留所有权利。未经许可，不得复制或再行发布此文件及其内容。