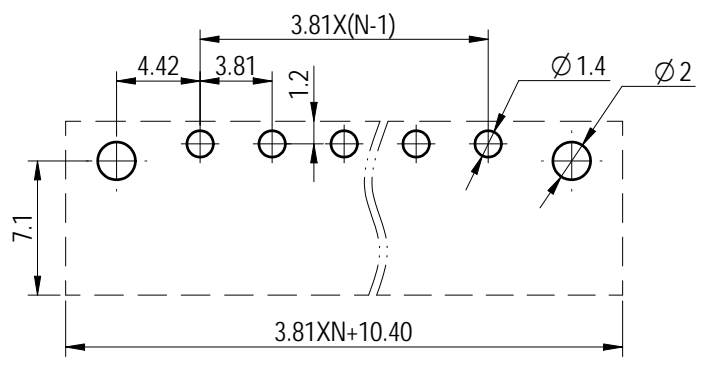
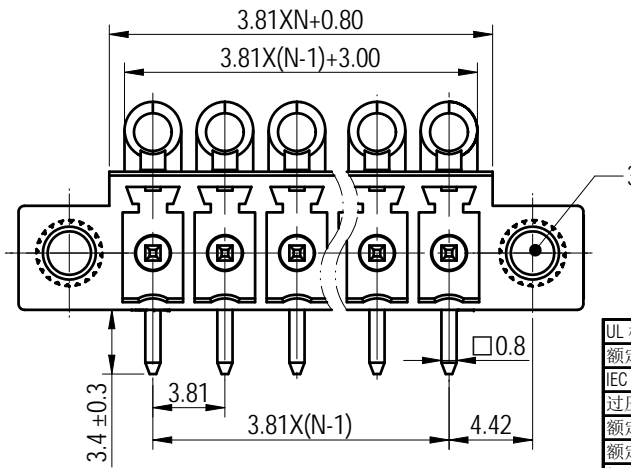
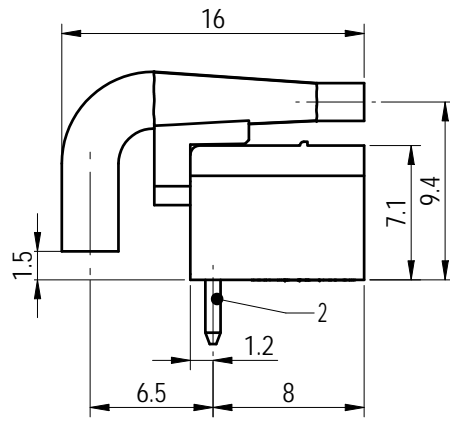
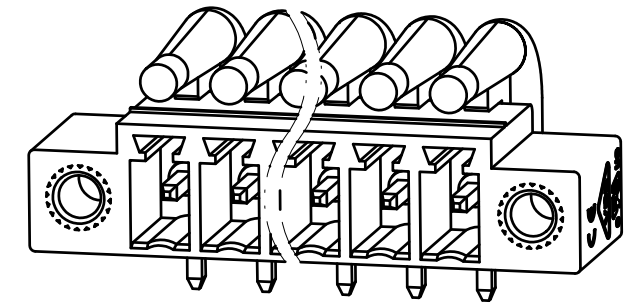
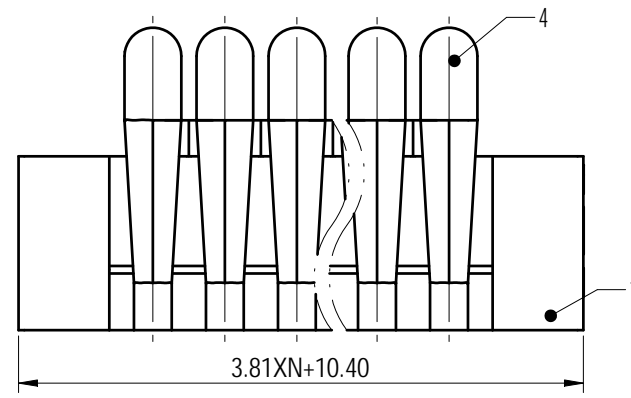


PCB LAYOUT



未注公差/General tolerances (mm)													0.1/10
0	>3	>6	>10	>18	>30	>50	>80	>120	>180	>250	>315	>400	
~3	~6	~10	~18	~30	~50	~80	~120	~180	~250	~315	~400	~500	>500
±0.12	±0.18	±0.22	±0.26	±0.31	±0.37	±0.57	±0.80	±0.93	±1.05	±1.15	±1.60	±2.20	±2.50



Note:  
The A&Z(H) in the name means: A(H) and Z(H)

ITEM	NAME OF PART	MATERIAL	NOTES
4	Housing 2	PC	UL94V-2
3	Nut	Copper alloy	M2.5
2	Pin	Copper alloy	Sn Plated
1	Housing 1	PA66+GF	UL94V-0

UL 标准/UL Standard:	B	C	D
额定电压/电流/Rated Voltage(V)/Current(A)	300/8	/	300/8
IEC 标准/IEC Standard:			
过压类别/Overvoltage Category/污染等级/Pollution Degree	III/3	III/2	II/2
额定电压/电流/Rated Voltage(V)/Current(A)	/	/	250/7
额定脉冲电压(KV)/Rate Impulse Voltage(KV)	/	/	2.5
间距/Pitch(mm)/线数范围/Poles	3.81/N=02~22P		
使用温度范围/Operating temperature(°C)	-40~+105		
符合RoHS环保要求/Conform to RoHS	Yes		
标准颜色编号/Standard color number: PANTONE / RAL	/		

**DEGSON**

APPD: 兰春华 2022.10.27  
 CHKD: 龚耀志 2022.10.27  
 DRFT: 方哲盛 2022.10.27

MATERIAL:	SURFACE/COLOR:		
MAT NO./REV: - / 00.01	MAT STATUS: 批量		
NAME			
15EDGRM-LD-3.81-XXP-1Y-00A&Z(H)			

REV	ECN	DESCRIPTION	DRFT	DATE	比例/Scale	DRAWING NO.	TYPE	DRAWING STATUS	SCALE	SHEET
00			方哲盛	2022.10.27	A4	200019459	CUSTOMER DRAWING	已发布	2.5:1	1/1

Transfer or duplication of this document as well as the utilization or communication of its content are prohibited unless authorized in writing. All rights reserved for patent, utility model or design registrations. 除专利、实用新型、外观设计、软件著作权、集成电路布图设计专有权、商标、名称、企业名称、域名等权利外，其他权利均归本公司所有。未经许可，不得复制或传播。