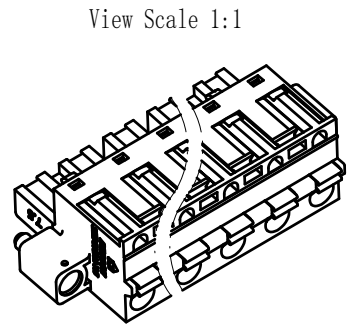


Transfer or duplication of this document as well as the utilization or communication of its contents are prohibited unless explicit authorization is granted. Violations will be liable for compensation. All rights reserved for patent, utility model or design registrations. 除非得到明确授权，否则禁止转让、复制、引用、发布本文件中的内容。 未经授权擅自复制或传播本文件内容，将承担相关法律责任。

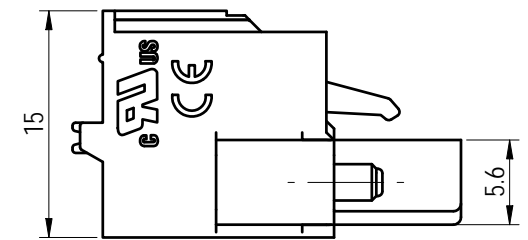
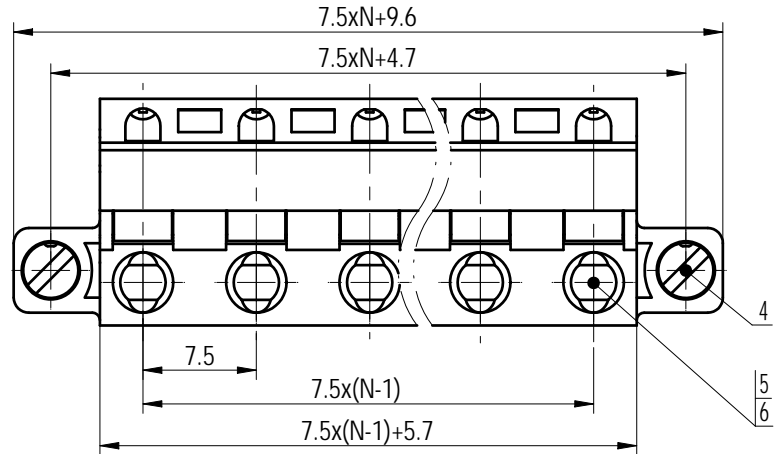
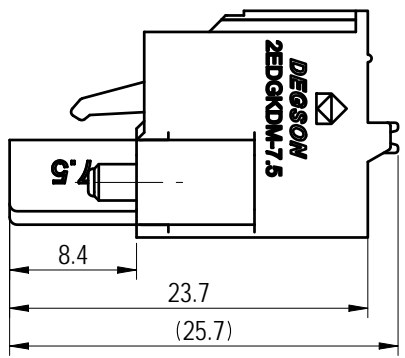
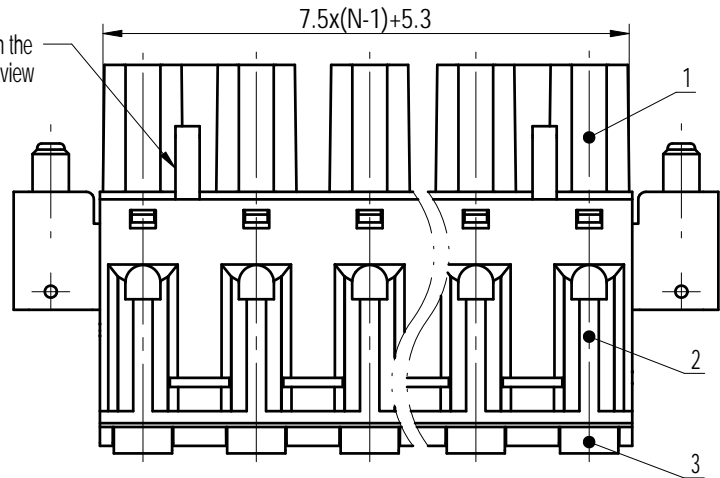
未注公差/General tolerances (mm)														
0	>3	>6	>10	>18	>30	>50	>80	>120	>180	>250	>315	>400	0.1/10 ±2'	
~3	~6	~10	~18	~30	~50	~80	~120	~180	~250	~315	~400	~500		
±0.12	±0.18	±0.22	±0.26	±0.31	±0.37	±0.57	±0.80	±0.93	±1.05	±1.15	±1.60	±2.20	±2.50	

UL 标准/UL Standard:		B	C	D
额定电压/电流/Rated Voltage(V)/Current(A)		300/10	/	300/10
IEC 标准/IEC Standard:				
过压类别/Overvoltage Category/污染等级/Pollution Degree		III/3	III/2	II/2
额定电压/电流/Rated Voltage(V)/Current(A)		400/20	400/20	1000/20
额定脉冲电压(KV)/Rate Impulse Voltage(KV)		4	4	4
线径范围(硬线和软线)/Wire Range(rigid and flexible)(AWG/mm ²)		26~12/ 1.0~2.5		
间距/Pitch(mm)/线数范围/Poles		7.5/N=02~14P		
剥线长度/Stripping length(mm)		9~10		
使用温度范围/Operating temperature(°C)		-40~+105		
符合RoHS环保要求/Conform to RoHS		Yes		
标准颜色编号/Standard color number: PANTONE / RAL		/		



View Scale 1:1

02P:Clasp on the left from this view



Note:
The A&Z(H) in the name means: A(H) and Z(H).

6	Spring	Stainless steel	/
5	Clamp	Copper alloy	Sn Plated
4	Screw	Steel	M2.5/Zn Plated
3	Button	PA66	UL94V-0
2	Housing	PA66	UL94V-0
1	Cover	PA66	UL94V-0
ITEM	NAME OF PART	MATERIAL	NOTES

		MATERIAL:	SURFACE/COLOR:		
		MAT NO./REV:	/ 00 MAT STATUS: 批量		
APPD: 兰春华	2023.03.03	NAME			
CHKD: 龚耀志	2023.03.01	2EDGKDM-7.5-XXP-1Y-00A&Z(H)			
DRFT: 刘强	2023.03.01	DRAWING NO.	TYPE	DRAWING STATUS	SCALE
		200031010	CUSTOMER DRAWING	已发布	2:1
				SHEET	1/1

00			刘强	2023.03.01
REV	ECN	DESCRIPTION	DRFT	DATE