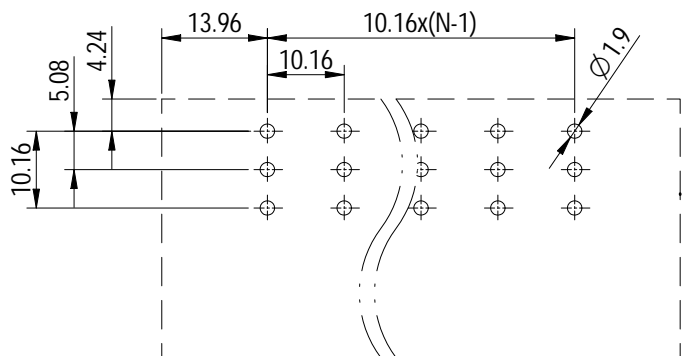
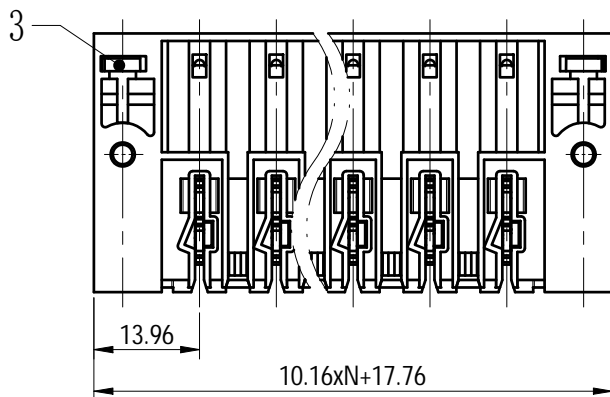
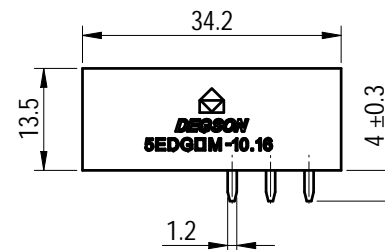
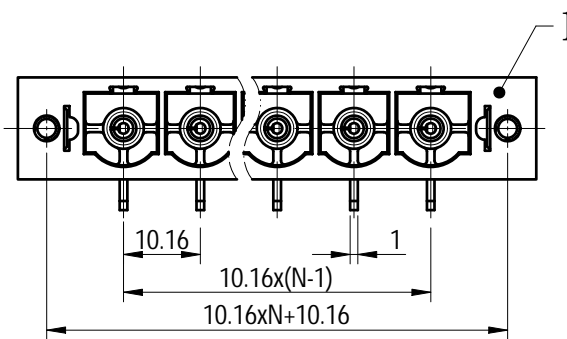
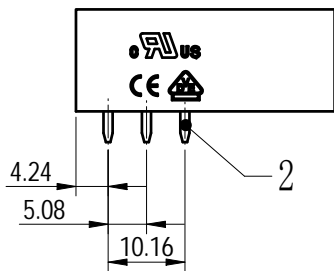
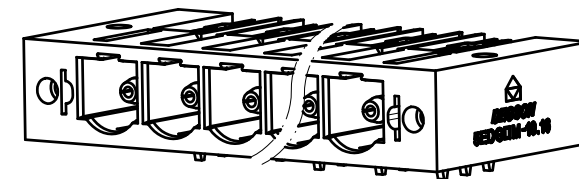


PCB LAYOUT



未注公差/General tolerances (mm)											0.1/10		
0	>3	>6	>10	>18	>30	>50	>80	>120	>180	>250		>315	>400
~3	~6	~10	~18	~30	~50	~80	~120	~180	~250	~315	~400	~500	>500
±0.12	±0.18	±0.22	±0.26	±0.31	±0.37	±0.57	±0.80	±0.93	±1.05	±1.15	±1.60	±2.20	±2.50



Note:
The A&Z(H) in the name means: A(H) and Z(H).

ITEM	NAME OF PART	MATERIAL	NOTES
3	Nut	Steel	M3/Zn Plated
2	Pin header	Copper	Ag Plated
1	Housing	PA66	UL94V-0

UL 标准/UL Standard:	B	C	D
额定电压/电流/Rated Voltage(V)/Current(A)	300/52	300/52	600/5
IEC 标准/IEC Standard:			
过压类别/Overvoltage Category/污染等级/Pollution Degree	III/3	III/2	II/2
额定电压/电流/Rated Voltage(V)/Current(A)	600/57	/	/
额定脉冲电压(KV)/Rate Impulse Voltage(KV)	6	/	/
间距/Pitch(mm)/线数范围/Poles	10.16/N=02~08P		
使用温度范围/Operating temperature(°C)	-40~+105		
符合RoHS环保要求/Conform to RoHS	Yes		

		MATERIAL:	SURFACE/COLOR:		
MAT NO./REV: - / 00		MAT STATUS: 批量			
APPD: 兰春华	2023.03.07	NAME			
CHKD: 龚耀志	2023.03.07	5EDGRM-10.16-XXP-1Y-00A&Z(H)			
DRFT: 朱岳鹏	2023.03.07	DRAWING NO.	TYPE	DRAWING STATUS	SCALE
A4		200020017	CUSTOMER DRAWING	已发布	1:1
(inch)		SHEET		1/1	

REV	ECN	DESCRIPTION	DRFT	DATE
00			朱岳鹏	2023.03.07

Transfer or duplication of this document as well as the utilization or communication of its content are prohibited unless authorized in advance. Violations will be held for compensation. All rights reserved for patent, utility model or design registrations. 除专利权明确授权外，否则禁止转让、复制、仿用。未经许可擅自复制或传播，一经发现，公司将依法追究。本公司保留对涉及专利、实用新型和外观设计的所有权利。