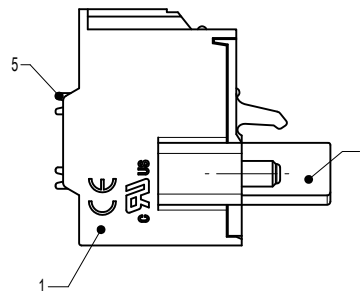
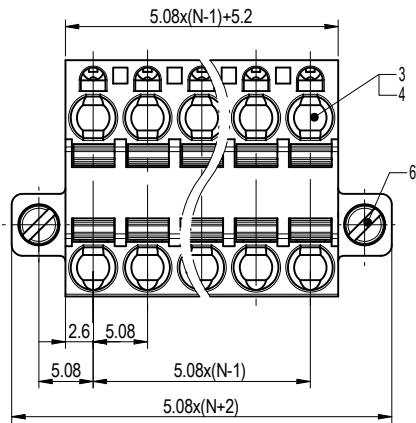
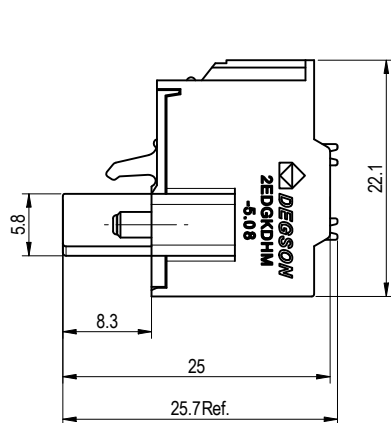
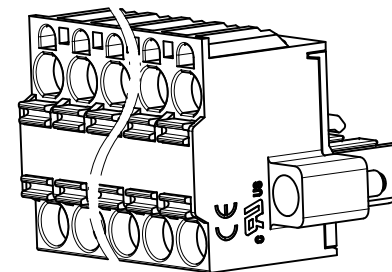
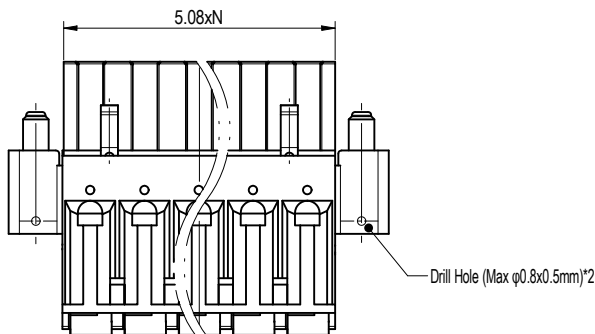


公差/General tolerances (mm)													D 0.1/10
0	>3	>6	>10	>18	>30	>50	>80	>120	>180	>250	>315	>400	
~ 3	~ 6	~ 10	~ 18	~ 30	~ 50	~ 80	~ 120	~ 180	~ 250	~ 315	~ 400	~ 500	~ >500
±0.12	±0.18	±0.22	±0.26	±0.31	±0.37	±0.57	±0.80	±0.93	±1.05	±1.15	±1.60	±2.20	±2.50



Note:
The A&Z(H) in the name means:A(H) and Z(H).

ITEM	NAME OF PART	MATERIAL	NOTES
6	Serew	Steel	M2.5/Zn Plated
5	Button	PA66	UL94V-0
4	Spring	Stainless Steel	/
3	Clamp	Copper alloy	Sn Plated
2	Cover	PA66	UL94V-0
1	Housing	PA66	UL94V-0

UL 标准/UL Standard:	B	C	D
额定电压/电流/Rated Voltage(V)/Current(A)	300/12	/	300/10
IEC 标准/IEC Standard:			
过压类别/Overvoltage Category/污染等级/Pollution Degree	III/3	III/2	II/2
额定电压/电流/Rated Voltage(V)/Current(A)	250/12	320/12	630/12
额定脉冲电压(KV)/Rate Impulse Voltage(KV)	4	4	4
螺丝扭矩/Torque Tightening(N·m/Lb.in)	M2.5: 0.4/3.6		
线径范围(硬线和软线)/Wire Range(rigid and flexible)(AWG/mm²)	26~12 / 0.2~2.5		
间距/Pitch(mm)/线数范围/Poles	5.08/N=02~24P		
剥线长度/Stripping length(mm)	9~10		
使用温度范围/Operating temperature(°C)	-40~+105		
符合RoHS环保要求/Conform to RoHS	Yes		

		MATERIAL:	SURFACE/COLOR:		
APPD: 兰春华 2022.11.10		MAT NO./REV: - / 00		MAT STATUS: 批量	
CHKD: 黄耀志 2022.11.09		NAME: 2EDGKDHM-5.08-XXP-1Y-00A&Z(H)			
DRFT: 周伟德 2022.11.09		DRAWING NO.:	TYPE:	DRAWING STATUS:	SCALE:
		200021145	CUSTOMER DRAWING	已发布	1:1
00	REV	ECN	DESCRIPTION	DRFT	DATE
					2022.11.09

00	REV	ECN	DESCRIPTION	DRFT	DATE
					2022.11.09

Transfer or duplication of this document as well as the utilization of its contents without the written permission of the copyright holder is prohibited. All rights reserved for patent. 本文件及其内容之复制或未经著作权人书面许可之利用均被禁止。所有权利保留。如有侵权，侵权人应承担相关法律责任。