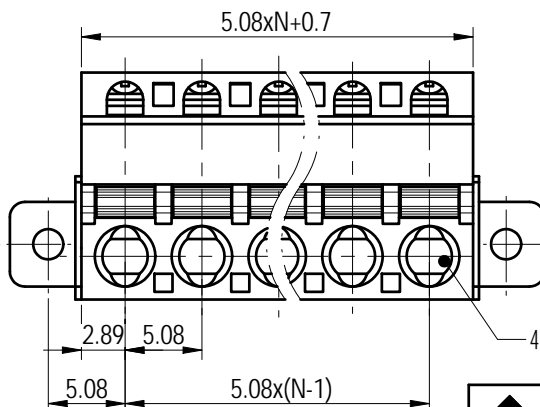
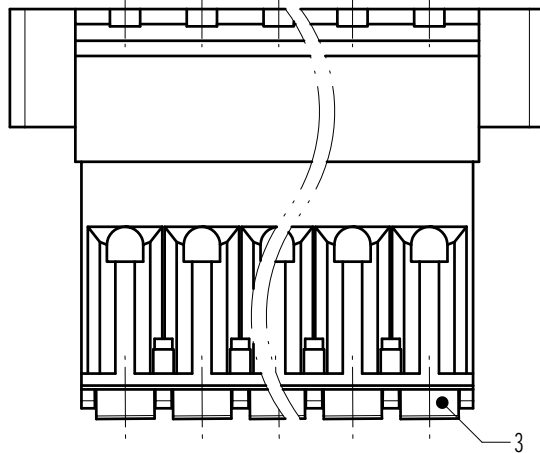
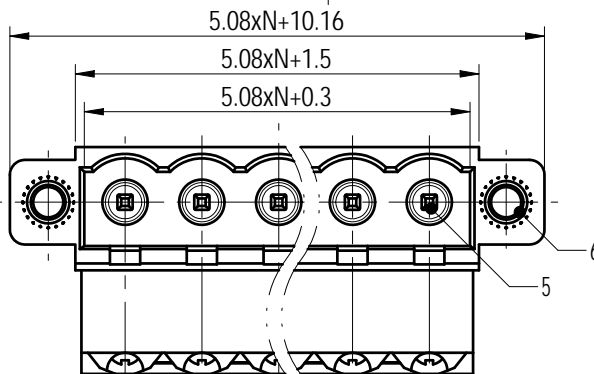
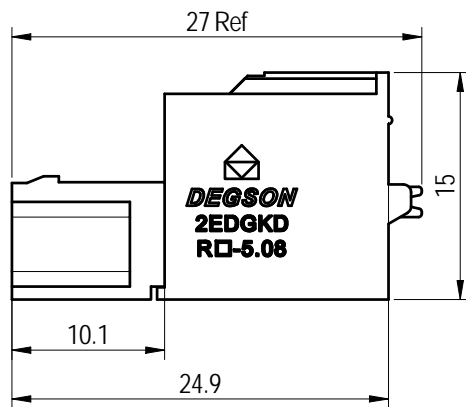
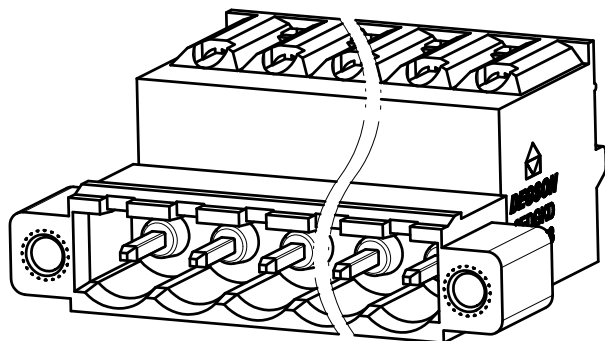


Transfer or duplication of this document as well as the utilization or communication of its content are prohibited unless expressly permitted. Violations will be held for compensation. All rights reserved for patent, utility model or design registrations. 除专利、实用新型、外观设计、发明专利等知识产权外，其他权利均归作者所有。未经许可，不得复制或传播。 除专利、实用新型、外观设计、发明专利等知识产权外，其他权利均归作者所有。未经许可，不得复制或传播。

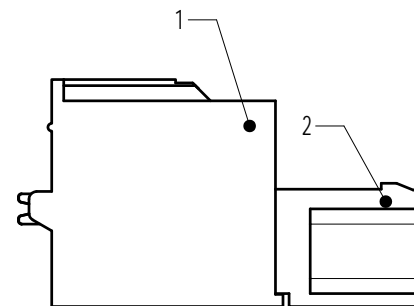


未注公差/General tolerances (mm)													0.1/10 ±2'
0	>3	>6	>10	>18	>30	>50	>80	>120	>180	>250	>315	>400	
~3	~6	~10	~18	~30	~50	~80	~120	~180	~250	~315	~400	~500	>500
±0.12	±0.18	±0.22	±0.26	±0.31	±0.37	±0.57	±0.80	±0.93	±1.05	±1.15	±1.60	±2.20	±2.50

UL 标准/UL Standard:	B	C	D
额定电压/电流/Rated Voltage(V)/Current(A)	300/10	/	300/10
IEC 标准/IEC Standard:			
过压类别/Overvoltage Category/污染等级/Pollution Degree	III/3	III/2	II/2
额定电压/电流/Rated Voltage(V)/Current(A)	/	400/12	/
额定脉冲电压(KV)/Rate Impulse Voltage(KV)	/	4	/
间距/Pitch(mm)/线数范围/Poles	5.08/N=02~22P		
剥线长度/Stripping length (mm)	9~10		
使用温度范围/Operating temperature(°C)	-40~+105		
符合RoHS环保要求/Conform to RoHS	Yes		

ITEM	NAME OF PART	MATERIAL	NOTES
6	Nut	Copper alloy	M2.5
5	Spring	Stainless Steel	/
4	Clamp	Copper	Sn Plated
3	Button	PA66	UL94V-0
2	Cover	PA66	UL94V-0
1	Housing	PA66	UL94V-0

Note:  
The A&Z(H) in the name means:A(H) and Z(H).



		MATERIAL:	SURFACE/COLOR:	
		MAT NO./REV: - / 00	MAT STATUS: 批量	
APPD: 兰春华	2022.12.02	NAME		
CHKD: 龚耀志	2022.12.02	2EDGKDRP-5.08-XXP-1Y-00A&Z(H)		
DRFT: 周锡锦	2022.12.02	DRAWING NO.	TYPE	DRAWING STATUS
		200021219	CUSTOMER DRAWING	已发布
REV	ECN	DESCRIPTION	SCALE	SHEET
00		周锡锦	2:1	1/1
REV	ECN	DESCRIPTION	SCALE	SHEET
		周锡锦	2:1	1/1