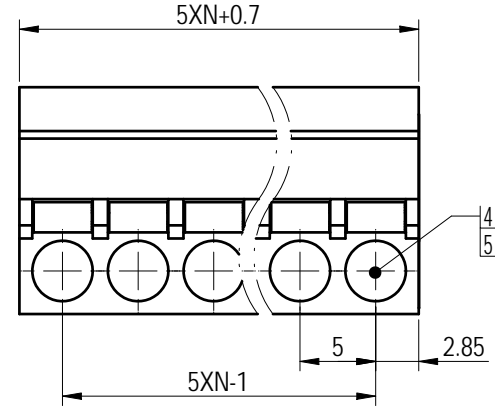
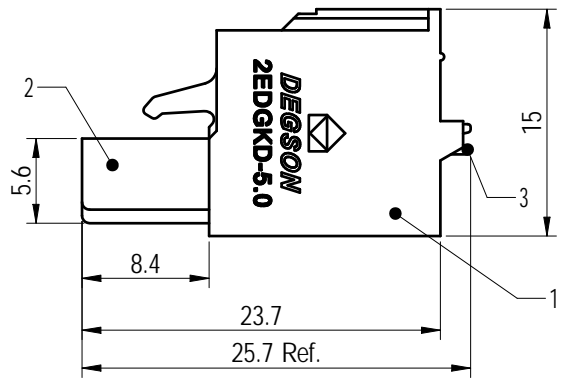
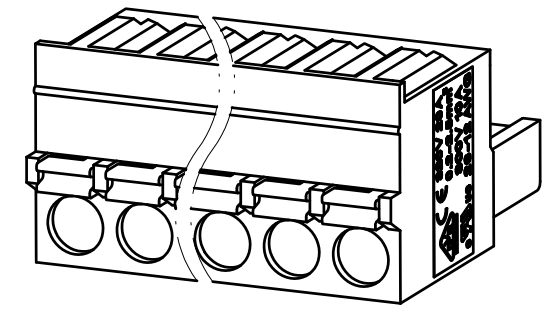
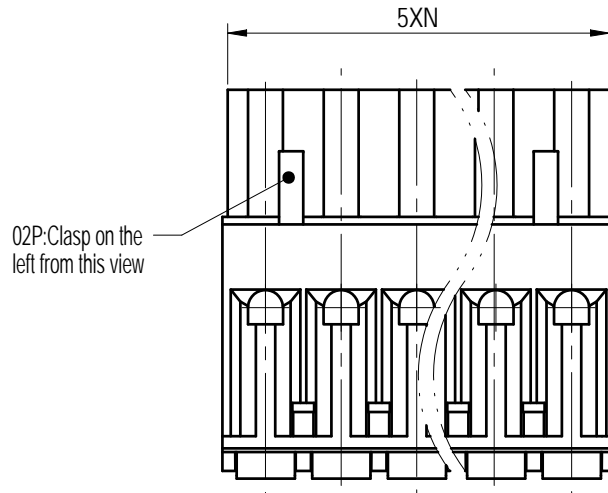


Transfer or duplication of this document as well as the utilization or communication of its content are prohibited unless expressly permitted. Violations will be held for compensation. All rights reserved for patent, utility model or design registrations. 除专利等明确标注外，其他标注均属于德尚。未经德尚书面许可，任何单位和个人不得擅自复制或传播。德尚保留对侵权行为的追究权利。

未注公差/General tolerances (mm)												0.1/10	
0 ~ 3	>3 ~ 6	>6 ~ 10	>10 ~ 18	>18 ~ 30	>30 ~ 50	>50 ~ 80	>80 ~ 120	>120 ~ 180	>180 ~ 250	>250 ~ 315	>315 ~ 400		>400 ~ 500
±0.12	±0.18	±0.22	±0.26	±0.31	±0.37	±0.57	±0.80	±0.93	±1.05	±1.15	±1.60	±2.20	±2.50



Note:
The A&Z(H) in the name means: A(H) and Z(H).

ITEM	NAME OF PART	MATERIAL	NOTES
5	Spring	Stainless steel	/
4	Clamp	Copper Alloy	Sn Plated
3	Button	PA66	UL94V-0
2	Cover	PA66	UL94V-0
1	Housing	PA66	UL94V-0

UL 标准/UL Standard:	B	C	D
额定电压/电流/Rated Voltage(V)/Current(A)	300/10	/	300/10
IEC 标准/IEC Standard:			
过压类别/Overvoltage Category/污染等级/Pollution Degree	III/3	III/2	II/2
额定电压/电流/Rated Voltage(V)/Current(A)	/	320/20	/
额定脉冲电压(KV)/Rate Impulse Voltage(KV)	/	4	/
线径范围(硬线和软线)/Wire Range (rigid and flexible) (AWG/mm²)	26~12 / 0.2~2.5		
间距/Pitch (mm)/线数范围/Poles	5.0/N=02~24P		
剥线长度/Stripping length (mm)	9~10		
使用温度范围/Operating temperature (°C)	-40~+105		
符合RoHS环保要求/Conform to RoHS	Yes		
标准颜色编号/Standard color number: PANTONE / RAL	/		

APPD: 兰春华 2022.08.08
CHKD: 龚耀志 2022.08.08
DRFT: 方哲盛 2022.08.05

MATERIAL: SURFACE/COLOR:
MAT NO./REV: - / 00 MAT STATUS: 批量

NAME: 2EDGKD-5.0-XXP-1Y-00A&Z(H)

REV	ECN	DESCRIPTION	DRFT	DATE
00			方哲盛	2022.08.05

DRAWING NO.	TYPE	DRAWING STATUS	SCALE	SHEET
200019062	CUSTOMER DRAWING	已发布	2:1	1/1