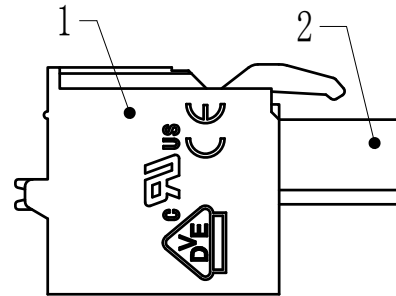
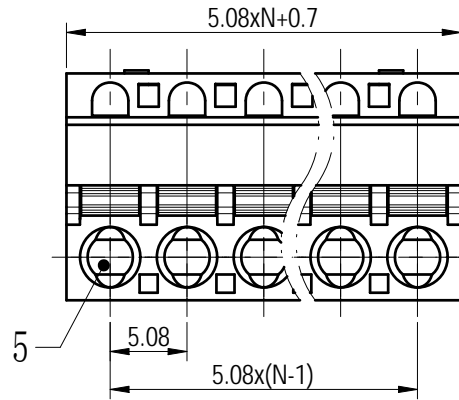
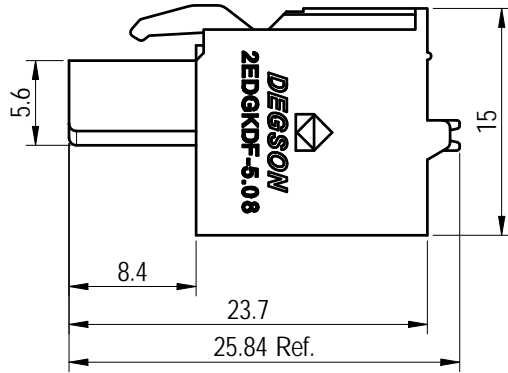
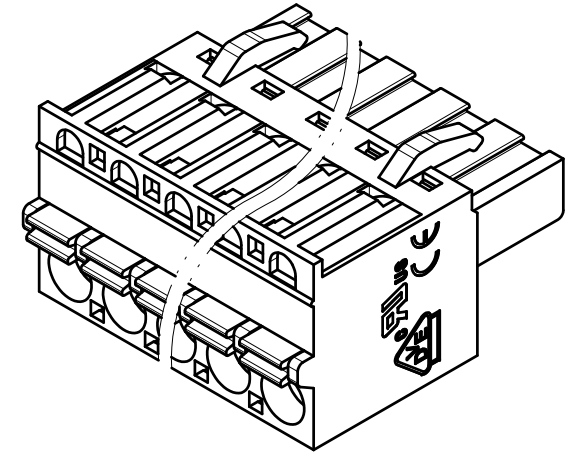
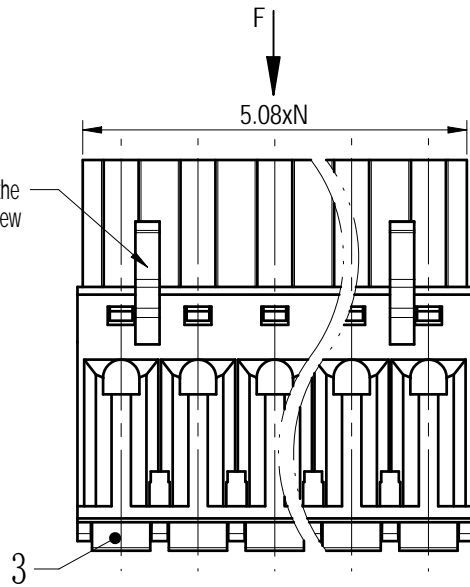


未注公差/General tolerances (mm)													0.1/10
0	>3	>6	>10	>18	>30	>50	>80	>120	>180	>250	>315	>400	
±0.12	±0.18	±0.22	±0.26	±0.31	±0.37	±0.57	±0.80	±0.93	±1.05	±1.15	±1.60	±2.20	±2.50
~3	~6	~10	~18	~30	~50	~80	~120	~180	~250	~315	~400	~500	>500

02P: Clasp on the left from this view

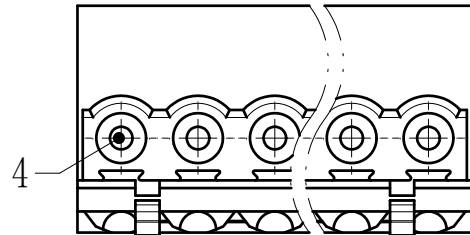


Note:  
The A&Z(H) in the name means: A(H) and Z(H).

ITEM	NAME OF PART	MATERIAL	NOTES
5	Spring	Stainless steel	/
4	Clamp	Copper alloy	Sn plated
3	Button	PA66	UL94V-0
2	Cover	PA66	UL94V-0
1	Housing	PA66	UL94V-0

UL 标准/UL Standard:	B	C	D
额定电压/电流/Rated Voltage(V)/Current(A)	300/10	/	300/10
IEC 标准/IEC Standard:			
过压类别/Ovenvoltage Category/污染等级/Pollution Degree	III/3	III/2	II/2
额定电压/电流/Rated Voltage(V)/Current(A)	/	320/20	/
额定脉冲电压(KV)/Rate Impulse Voltage(KV)	/	4	/
线径范围(硬线和软线)/Wire Range(rigid and flexible)(AWG/mm <sup>2</sup> )	26~12 / 0.2~2.5		
间距/Pitch(mm)/线数范围/Poles	5.08/N=02~24P		
剥线长度/Stripping length(mm)	10		
使用温度范围/Operating temperature(°C)	-40~+105		
符合RoHS环保要求/Conform to RoHS	Yes		

View F



<b>DEGSON</b>		MATERIAL:	SURFACE/COLOR:		
APPD: 兰春华	2022.09.07	MAT NO./REV: - / 00	MAT STATUS: 批量		
CHKD: 龚耀志	2022.09.06	NAME: 2EDGKDF-5.08-XXP-1Y-00A&Z(H)			
DRFT: 朱岳鹏	2022.09.06	DRAWING NO. 200029777	TYPE: CUSTOMER DRAWING	DRAWING STATUS: 已发布	SCALE: 2:1
REV: 00		ECN:	DESCRIPTION:	DRFT: 朱岳鹏	DATE: 2022.09.06
REV: 00		ECN:	DESCRIPTION:	DRFT: 朱岳鹏	DATE: 2022.09.06

REV	ECN	DESCRIPTION	DRFT	DATE
00			朱岳鹏	2022.09.06

Transfer or duplication of this document as well as the utilization or communication of its content are prohibited unless express approval is granted. Violations will be held for compensation. All rights reserved for patent, utility model or design registrations. 除专利等明确标注外, 未经许可, 不得复制或传播。 未经授权, 不得复制或传播。 未经授权, 不得复制或传播。 未经授权, 不得复制或传播。