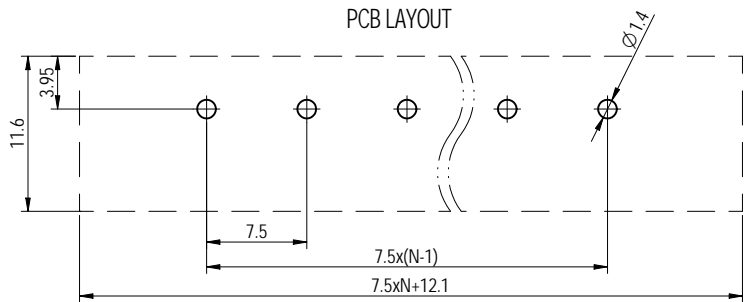
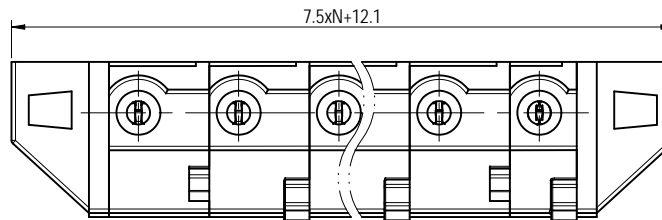


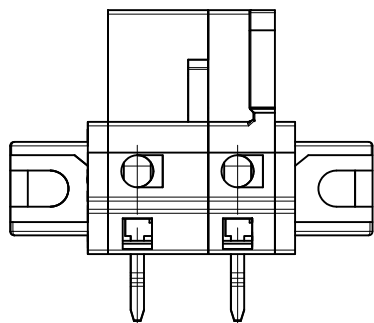
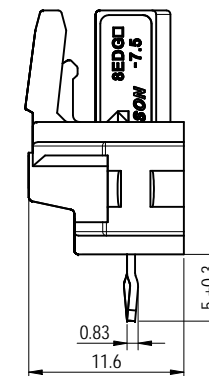
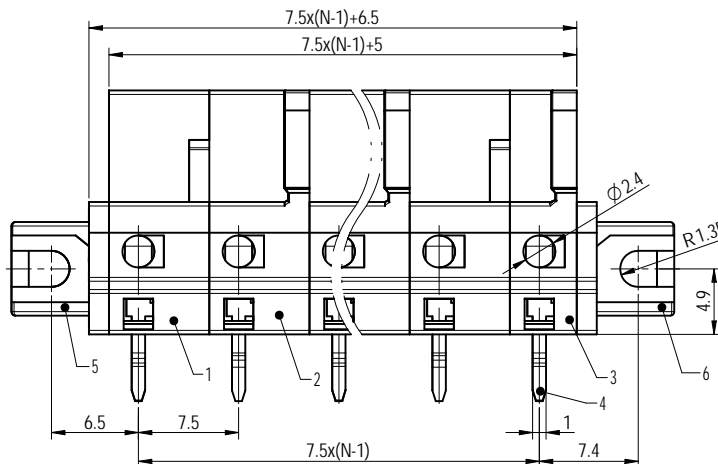
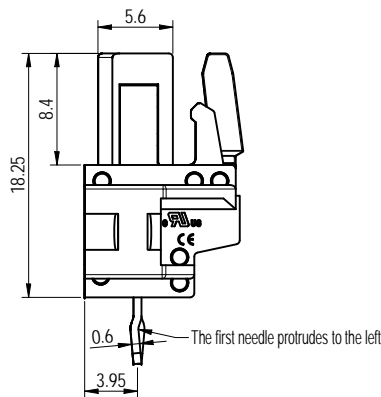
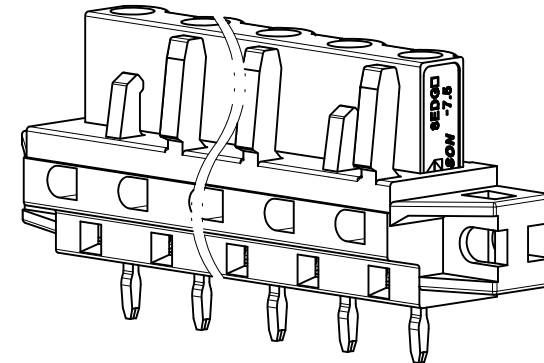
PCB LAYOUT



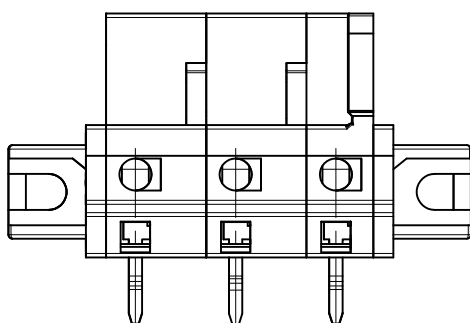
Notes: Pin headers should be bent after assembled



备注公差/General tolerances (mm)											D			
0	>3	>6	>10	>18	>30	>50	>80	>120	>180	>250		>315	>400	>500
±0.12	±0.18	±0.22	±0.26	±0.31	±0.37	±0.57	±0.80	±0.93	±1.05	±1.15	±1.60	±2.20	±2.50	0.1/10
														±2'



02P



03P

UL 标准/UL Standard:	B	C	D
额定电压/电流/Rated Voltage(V)/Current(A)	300/15	/	300/10
IEC 标准/IEC Standard:			
过压类别/Ovenvoltage Category/污染等级/Pollution Degree	III/3	III/2	II/2
额定电压/电流/Rated Voltage(V)/Current(A)	320/20	/	/
额定脉冲电压(KV)/Rate Impulse Voltage(KV)	4	/	/
间距/Pitch(mm)/线数范围/Poles	7.5/N-02-12P		
使用温度范围/Operating temperature(°C)	-40--+105		
符合RoHS环保要求/Conform to RoHS	Yes		
6	Right housing	PA66	UL94V-0
5	Left housing	PA66	UL94V-0
4	Clamp	Copper	Sn Plated
3	Side Housing	PA66	UL94V-0
2	Housing 2	PA66	UL94V-0
1	Housing 1	PA66	UL94V-0
ITEM	NAME OF PART	MATERIAL	NOTES

		MATERIAL: SURFACE/COLOR: PANTONE 7534U								
APPD: 兰春华 2024.12.05		NAME: 8EDGBM-7.5-XXP-11-01A&Z(H)								
CHKD: 黄耀志 2024.12.05		MAT NO./REV: - / 00								
DRFT: 方哲盛 2024.12.05		MAT STATUS: 批量								
00	REV	ECN	DESCRIPTION	方哲盛	2024.12.05	DRAWING NO. 200322944	TYPE CUSTOMER DRAWING	DRAWING STATUS 已发布	SCALE 2.5:1	SHEET 1/1

REV	ECN	DESCRIPTION	DRFT	DATE
00			方哲盛	2024.12.05

Transfer or duplication of this document as well as the utilization of its contents without the written permission of DEGSON is prohibited. All rights reserved for patent. 本文件及其中所载之内容，未经 DEGSON 书面许可，不得复制或传播。如有侵权，本公司保留追究法律责任之权利。