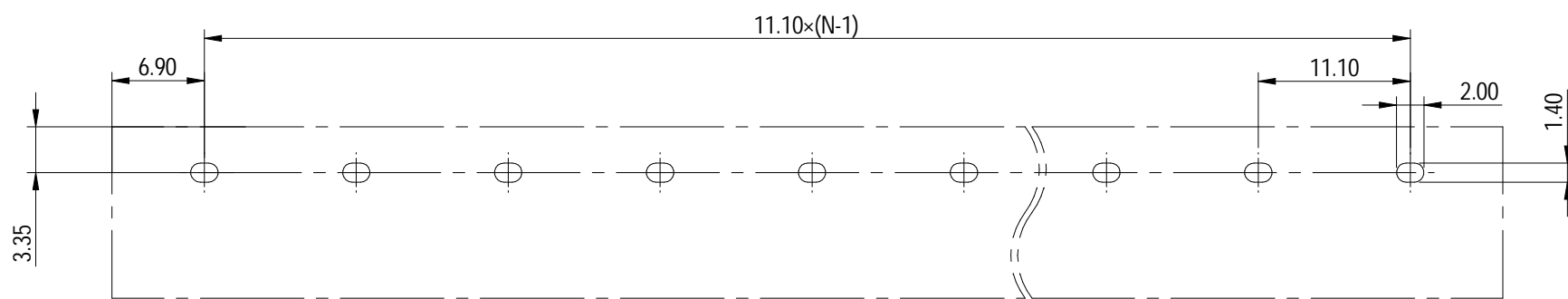
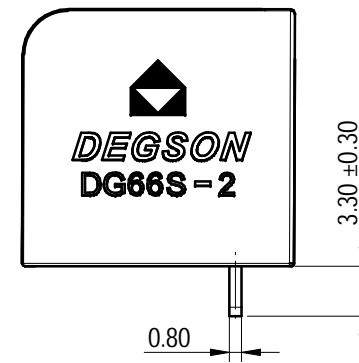
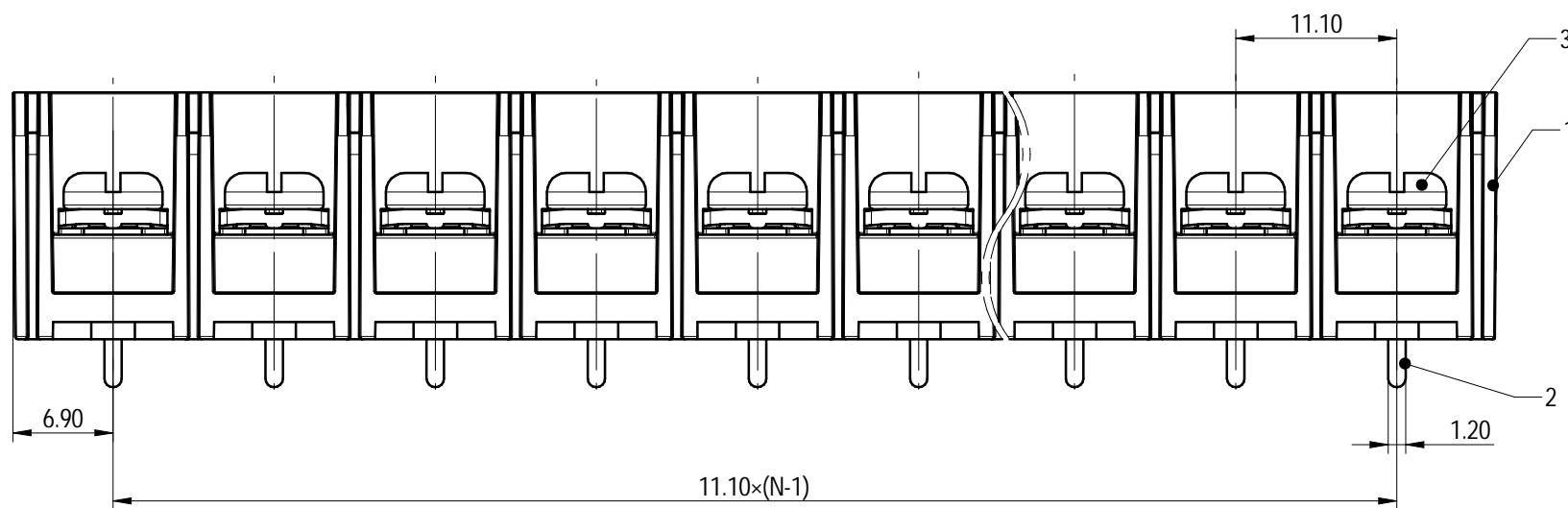
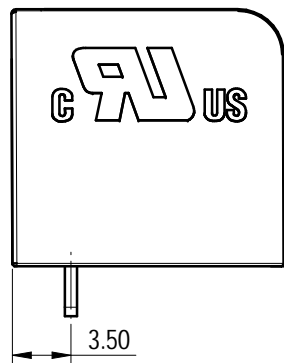
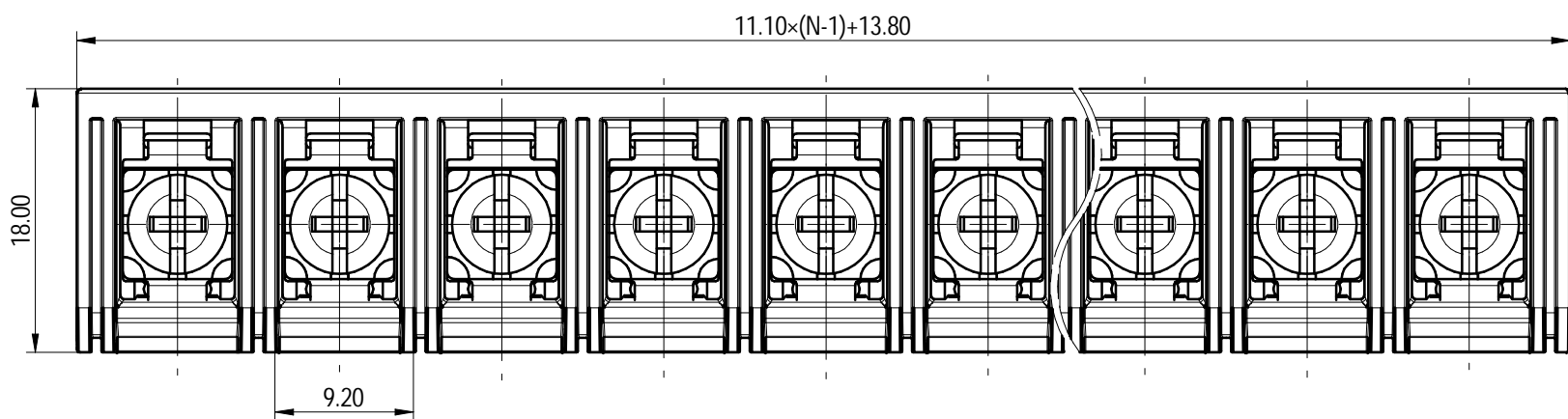


未注公差/General tolerances(mm)											0.1/10 ±2'		
0 ~ 3	>3 ~ 6	>6 ~ 10	>10 ~ 18	>18 ~ 30	>30 ~ 50	>50 ~ 80	>80 ~ 120	>120 ~ 180	>180 ~ 250	>250 ~ 315		>315 ~ 400	>400 ~ 500
±0.12	±0.18	±0.22	±0.26	±0.31	±0.37	±0.57	±0.80	±0.93	±1.05	±1.15	±1.60	±2.20	±2.50



PCB LAYOUT

Note: The A&Z(H) in the name means :A(H) and Z(H).

ITEM	NAME OF PART	MATERIAL	NOTES
3	Screw	Steel	Ni Plated
2	Pin header	Copper alloy	Sn Plated
1	Housing	PA66	UL94V-0
UL 标准/UL Standard:			
额定电压/电涌/Rated Voltage(V)/Current(A)			B C D
			600/30 600/30 600/5
IEC 标准/IEC Standard:			
过压类别/Overvoltage Category/污染等级/Pollution Degree			III/3 III/2 II/2
额定电压/电涌/Rated Voltage(V)/Current(A)			1000/30 1000/30 1000/30
额定脉冲电压(KV)/Rate Impulse Voltage(KV)			8 8 8
螺丝扭矩/Torque Tightening(N·m/Lb.in)			M4: 1.20/10.53
线径范围(硬线和软线)/Wire Range(rigid and flexible)(AWG/mm²)			22~10
间距/Pitch(mm)/线数范围/Poles			11.10/N=02~10P
剥线长度/Stripping length(mm)			7~8
使用温度范围/Operating temperature(°C)			-40~+105
符合RoHS环保要求/Conform to RoHS			Yes

DEGSON		MATERIAL:	SURFACE/COLOR:		
APPD: 蓝贵凡	2024.06.27	MAT NO./REV:	/ 00 MAT STATUS: 批量		
CHKD: 朱伟明	2024.06.27	NAME			
DRAFT: 孙科豪	2024.06.27	DG66S-2-B-XXP-1Y-00A&Z(H)			
REV	ECN	DESCRIPTION	DRAFT	DATE	
00					
DRAWING NO. 200288957		TYPE CUSTOMER DRAWING	DRAWING STATUS 已发布	SCALE 1:1	SHEET 1/1

Transfer or duplication of this document as well as the utilization or communication of its contents are prohibited unless explicit authorization is granted. Violations will be liable for compensation. All rights reserved for patent.