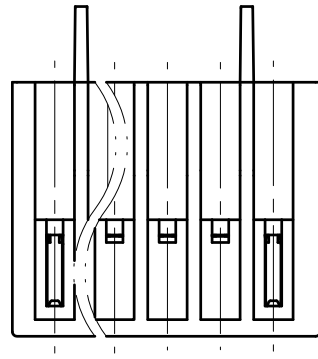
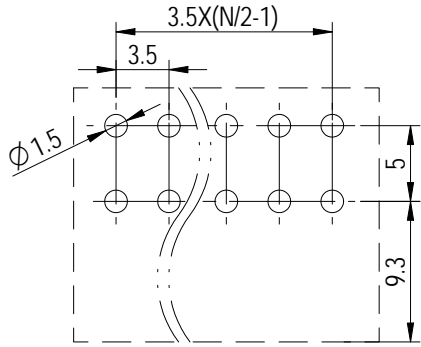
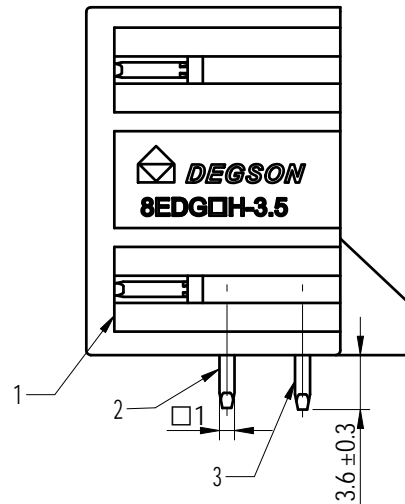
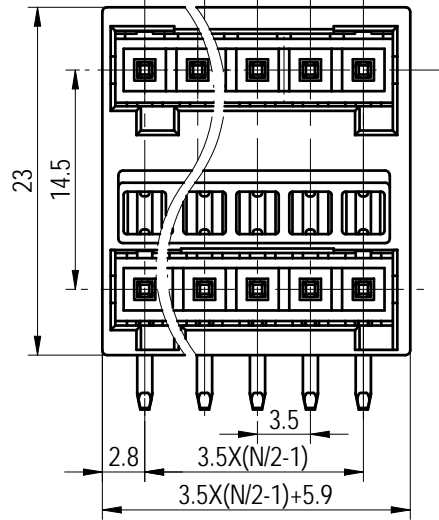
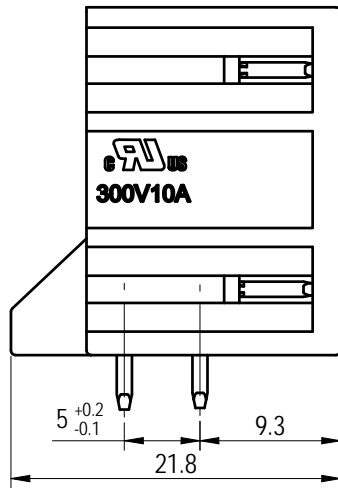
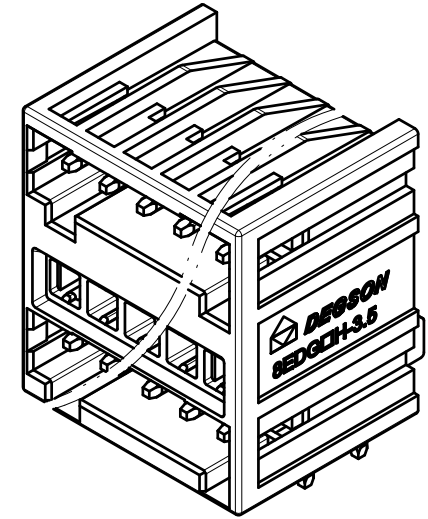


PCB LAYOUT



公差/General tolerances (mm)											0.1/10			
0 ~ 3	>3 ~ 6	>6 ~ 10	>10 ~ 18	>18 ~ 30	>30 ~ 50	>50 ~ 80	>80 ~ 120	>120 ~ 180	>180 ~ 250	>250 ~ 315		>315 ~ 400	>400 ~ 500	>500
±0.12	±0.18	±0.22	±0.26	±0.31	±0.37	±0.57	±0.80	±0.93	±1.05	±1.15	±1.60	±2.20	±2.50	±2'



ITEM	NAME OF PART	MATERIAL	NOTES
3	Pin 2	Copper	Sn Plated
2	Pin 1	Copper	Sn Plated
1	Housing	PA66	UL94V-0

UL 标准/UL Standard:	B	C	D
额定电压/电流/Rated Voltage(V)/Current(A)	300/10	/	/
IEC 标准/IEC Standard:			
过压类别/Overtoltage Category/污染等级/Pollution Degree	III/3	III/2	II/2
额定电压/电流/Rated Voltage(V)/Current(A)	160/10	/	/
额定脉冲电压(KV)/Rate Impulse Voltage(KV)	2.5	/	/
间距/Pitch(mm)/线数范围/Poles	3.5/N=04~24P		
使用温度范围/Operating temperature(°C)	-40~+105		
符合RoHS环保要求/Conform to RoHS	Yes		

DEGSON		MATERIAL:	SURFACE/COLOR: PANTONE 7534U		
APPD: 兰春华 2024.11.28		MAT NO./REV:	/ 00 MAT STATUS: 批量		
CHKD: 龚耀志 2024.11.28		NAME			
DRFT: 牛泰 2024.11.28		8EDGRHB-3.5-XXP-11-01A&Z(H)			
DRAWING NO.	TYPE	DRAWING STATUS	SCALE	SHEET	
200320483	CUSTOMER DRAWING	已发布	2:1	1/1	

REV	ECN	DESCRIPTION	DRFT	DATE
00			牛泰	2024.11.28

Transfer or duplication of this document as well as the utilization or communication of its content are prohibited unless authorized in writing by DEGSON. All rights reserved for patent, utility model or design registrations. 除专利、实用新型、外观设计、软件著作权等权利外，其他权利均归 DEGSON 所有。未经许可，不得复制或传播。 0.1/10