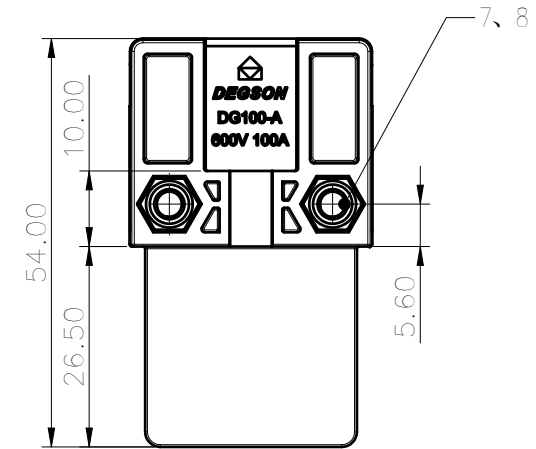


未注公差/General tolerances(mm)											0.1/10		
0	>3	>6	>10	>18	>30	>50	>80	>120	>180	>250		>315	>400
±0.12	±0.18	±0.22	±0.26	±0.31	±0.37	±0.57	±0.80	±0.93	±1.05	±1.15	±1.60	±2.20	±2.50

UL 标准/UL Standard:	B	C	D
额定电压/电流/Rated Voltage(V)/Current(A)	600/100	600/100	600/5
IEC 标准/IEC Standard:			
过压类别/Overvoltage Category/污染等级/Pollution Degree	III/3	III/2	II/2
额定电压/电流/Rated Voltage(V)/Current(A)	1000/100	1000/100	1000/100
额定脉冲电压(KV)/Rate Impulse Voltage(KV)	8	8	8
螺丝扭矩/Torque Tightening(N·m/Lb.in)	M6, 5.0/44.27 M4.1.2/10.53		
线径范围(硬线和软线)/Wire Range(rigid and flexible)(AWG/mm ²)	10~2 / 16~35		
间距/Pitch(mm)/线数范围/Poles	21.00/N=01~10P		
剥线长度/Stripping length(mm)	12~13		
使用温度范围/Operating temperature(°C)	-40~+120		
符合 RoHS 环保要求/Conform to RoHS	Yes		



The A&Z(H) in the name means:A(H) and Z(H)

ITEM	NAME OF PART	MATERIAL	NOTES
9	Cover	PC	UL94V-2
8	Nut2	Steel	Zn plated/M4
7	Screw2	Steel	Zn plated/M4
6	Nut1	Steel	Ni plated/M6
5	Screw1	Steel	Ni plated/M6
4	Current_carrier	Copper	Ni plated
3	Right cover	PBT	UL94V-0
2	Housing	PBT	UL94V-0
1	Left cover	PBT	UL94V-0

DEGSON		MATERIAL: /	SURFACE/COLOR:	
APPD: 蓝贵凡 2022.07.14		MAT NO./REV: /		00
CHKD: 曹利彬 2022.07.14		NAME		
DRFT: 曹利彬 2022.07.14		DG100-A-XXP-1Y-00A&Z(H)		
DRAWING NO.	TYPE	DRAWING STATUS	SCALE	SHEET
200054446	CUSTOMER DRAWING	已发布	1:1	1/1

REV	ECN	DESCRIPTION	DRFT	DATE
01		/	曹利彬	2022.07.14

Transfer or duplication of this document as well as the utilization or communication of its contents are prohibited unless authorized. All rights reserved for patent, utility model or design registrations. 非经书面授权, 严禁禁止转让、复制、利用、交加本文件内容, 一经发现将追究法律责任。 蓝贵凡和曹利彬对本文件的所有权利。