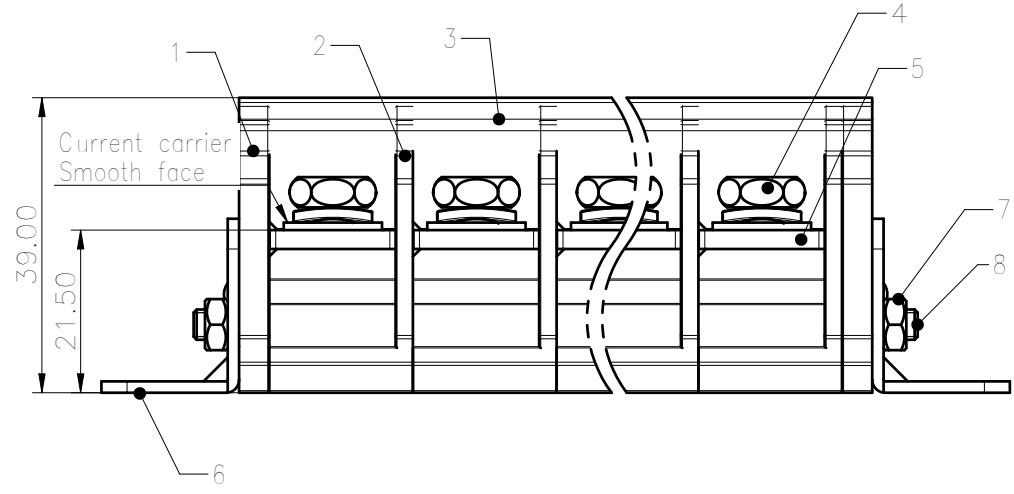
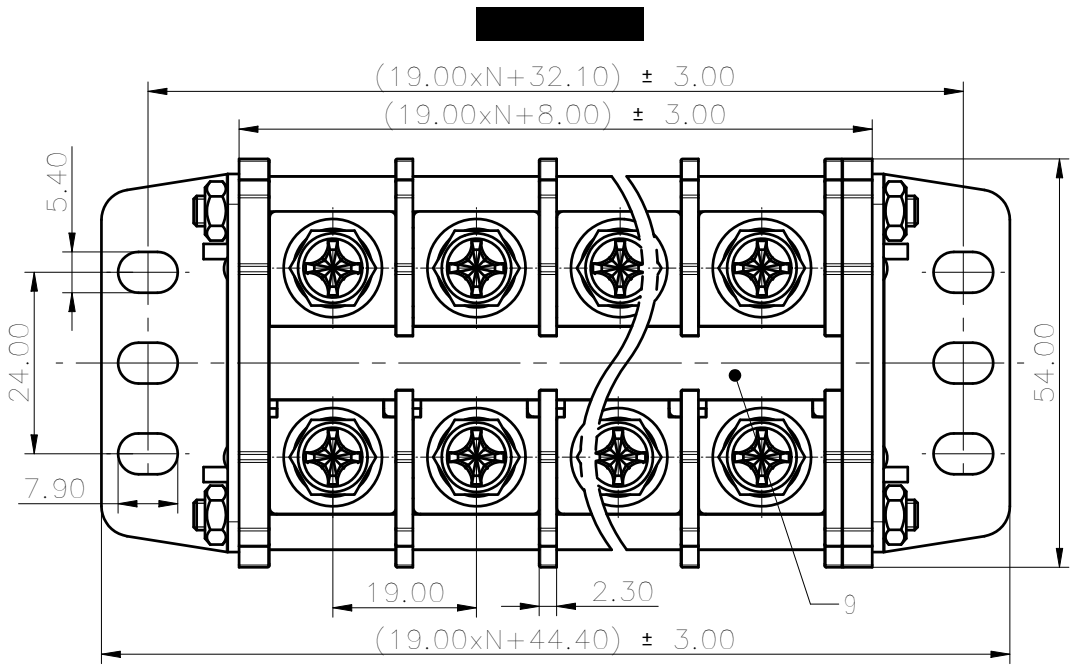
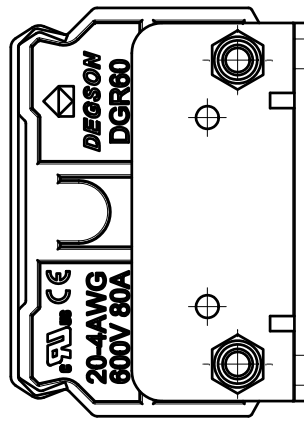


Transfer or duplication of this document as well as the utilization or communication of its contents are prohibited unless authorized. All rights reserved for patent, utility model or design registrations. 非经明确授权，否则禁止转让、复制、利用、交加本文件的内容。一经发现侵权必究，保留全部法律责任。保留全部权利和外观专利的所有权利。



| 未注公差/General tolerances(mm) |       |       |       |       |       |       |       |       |       |       |       |       |               |
|-----------------------------|-------|-------|-------|-------|-------|-------|-------|-------|-------|-------|-------|-------|---------------|
| 0                           | >3    | >6    | >10   | >18   | >30   | >50   | >80   | >120  | >180  | >250  | >315  | >400  | 0.1/10<br>±2' |
| ~3                          | ~6    | ~10   | ~18   | ~30   | ~50   | ~80   | ~120  | ~180  | ~250  | ~315  | ~400  | ~500  |               |
| ±0.12                       | ±0.18 | ±0.22 | ±0.26 | ±0.31 | ±0.37 | ±0.57 | ±0.80 | ±0.93 | ±1.05 | ±1.15 | ±1.60 | ±2.20 | ±2.50         |

|                                   |               |
|-----------------------------------|---------------|
| UL 额定电压/Rated Voltage/Current     | 600V/80A(B/C) |
| UL 工频耐压/R.M.S withstand voltage   | AC2200V/1Min  |
| 线径范围/Wire range(AWG)              | 20~4          |
| 线数范围/Poles                        | N=02~11P      |
| 螺丝扭矩/Tightening torque(N·m/Lb·in) | M6, 4.52/40   |
| 使用温度范围/Operating temperature(°C)  | -40~+125      |



Note:The A&Z(H) in the name means: A(H) and Z(H).

| ITEM | NAME OF PART    | MATERIAL        | NOTES        |
|------|-----------------|-----------------|--------------|
| 9    | Tag             | PVC             | UL94V-0      |
| 8    | Connect Pillar  | Stainless steel | /            |
| 7    | Nut             | Steel           | M4/Zn Plated |
| 6    | Fastener        | SPCC            | Zn Plated    |
| 5    | Current carrier | Copper Alloy    | Ni Plated    |
| 4    | Screw           | Steel           | M6/Zn Plated |
| 3    | Cover           | PC              | UL94V-2      |
| 2    | Housing2        | PC              | UL94V-0      |
| 1    | Housing1        | PC              | UL94V-0      |

|               |            |                       |                       |                    |
|---------------|------------|-----------------------|-----------------------|--------------------|
| <b>DEGSON</b> |            | MATERIAL:             | SURFACE:              |                    |
| APPD: 蓝贵凡     | 2023.12.14 | MAT NO./REV: /00      | MAT STATUS: 批量        |                    |
| CHKD: 曹利彬     | 2023.12.14 | NAME                  |                       |                    |
| DRFT: 孙科豪     | 2023.12.14 | DGR60-XXP-1Y-20A&Z(H) |                       |                    |
| REV           | ECN        | DESCRIPTION           | DRFT                  | DATE               |
| 00            |            |                       | ⊕                     | 2023.12.14         |
|               |            | DRAWING NO. 200018406 | TYPE CUSTOMER DRAWING | DRAWING STATUS 已发布 |
|               |            | SCALE 1:1             | SHEET 1/1             |                    |

| REV | ECN | DESCRIPTION | DRFT | DATE       |
|-----|-----|-------------|------|------------|
| 00  |     |             | ⊕    | 2023.12.14 |