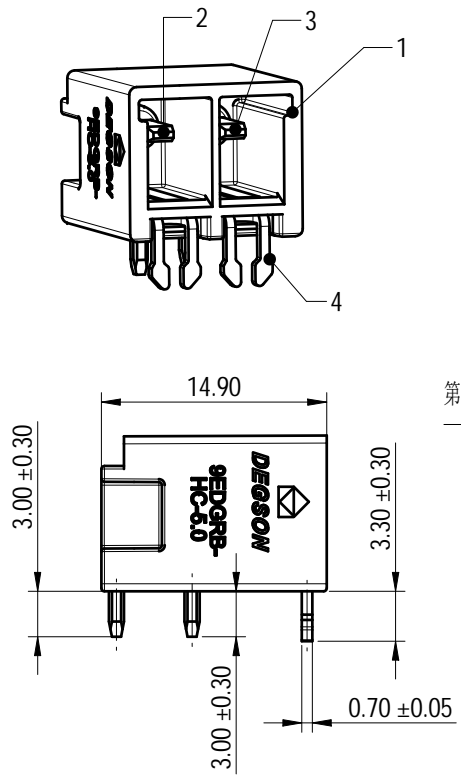
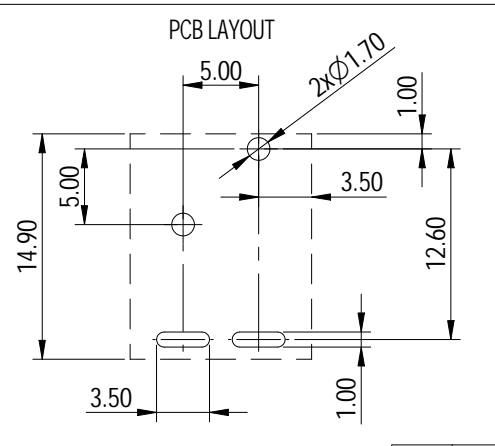
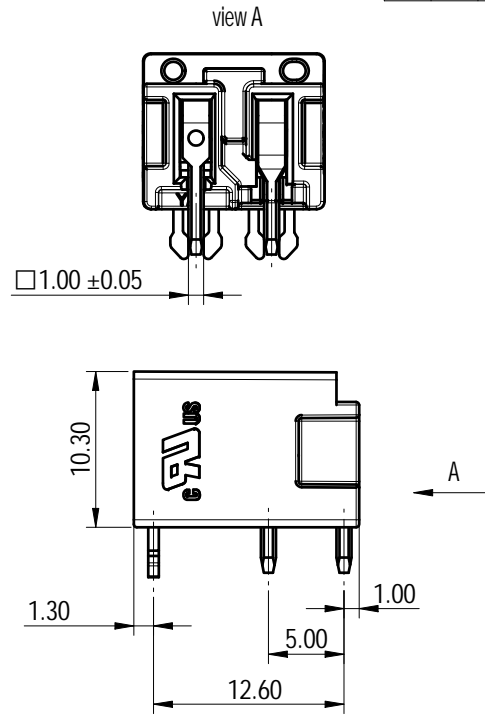
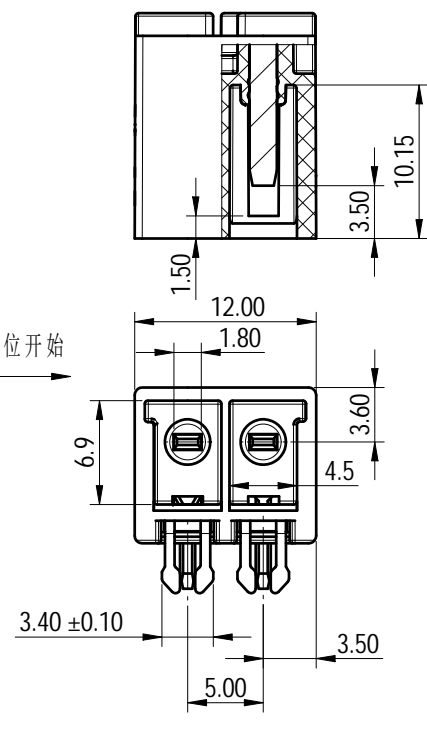


Transfer or duplication of this document as well as the utilization or communication of its content are prohibited unless authorized in writing by DEGSON. All rights reserved for patent. 除专利声明外，其他内容均受法律保护。未经许可，不得复制或传播。 未经授权，不得复制或传播。 未经授权，不得复制或传播。

未注公差/General tolerances (mm)												0.1/10 ±2'	
0	>3	>6	>10	>18	>30	>50	>80	>120	>180	>250	>315		>400
~3	~6	~10	~18	~30	~50	~80	~120	~180	~250	~315	~400	~500	>500
±0.12	±0.18	±0.22	±0.26	±0.31	±0.37	±0.57	±0.80	±0.93	±1.05	±1.15	±1.60	±2.20	±2.50



第一位开始



Notes: The A&Z(H) in the name means:A(H) and Z(H)

ITEM	NAME OF PART	MATERIAL	NOTES
4	Fixed foot	Steel	Sn Plated
3	Pin header2	Copper	Sn Plated
2	Pin header1	Copper	Sn Plated
1	Housing	PA66	UL94V-0

UL 标准/UL Standard:	B	C	D
额定电压/电流/Rated Voltage(V)/Current(A)	300/20	/	300/10
UL 标准/UL Standard:	F(III/3)	/	/
额定电压/电流/Rated Voltage(V)/Current(A)	500/20	/	/
额定脉冲电压(KV)/Rate Impulse Voltage(KV)	6	/	/
IEC 标准/IEC Standard:	III/3	III/2	II/2
过压类别/Overvoltage Category/污染等级/Pollution Degree	500/20	/	/
额定电压/电流/Rated Voltage(V)/Current(A)	6	/	/
额定脉冲电压(KV)/Rate Impulse Voltage(KV)		5.00/N=02P	
间距/Pitch(mm)/线数范围/Poles		-40~+105	
使用温度范围/Operating temperature(°C)		Yes	
符合RoHS环保要求/Conform to RoHS			

<b>DEGSON</b>		MATERIAL: /	SURFACE/COLOR: /
APPD: 蓝贵凡 2023.04.06		MAT NO./REV: / 00	
CHKD: 曹利彬 2023.04.06		MAT STATUS: 批量	
DRFT: 孙科豪 2023.04.03		NAME	
DRAWING NO. 200178313		9EDGRB-HC-5.0-DA-02P-1Y-00A&Z(H)	
TYPE CUSTOMER DRAWING		DRAWING STATUS 已发布	
SCALE 2:1		SHEET 1/1	

REV	ECN	DESCRIPTION	DRFT	DATE
01	/	增加PTC尺寸	曹利彬	2023.10.19