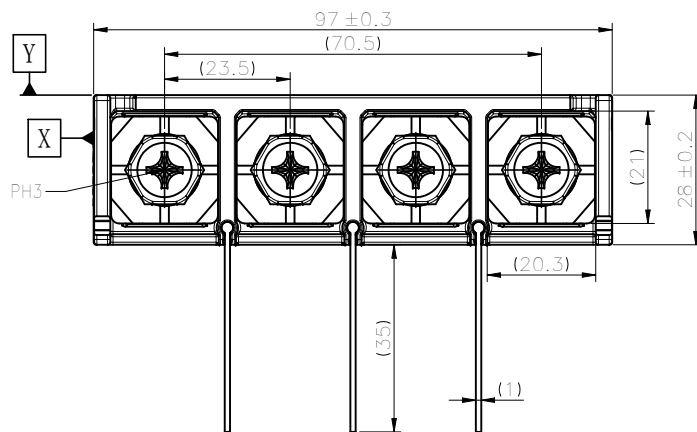


Schematic diagram after assembly:

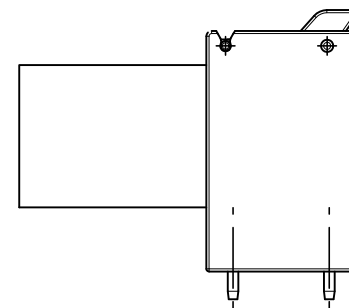
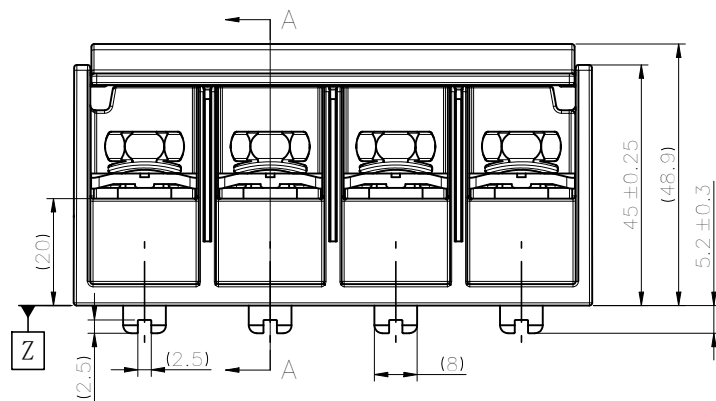
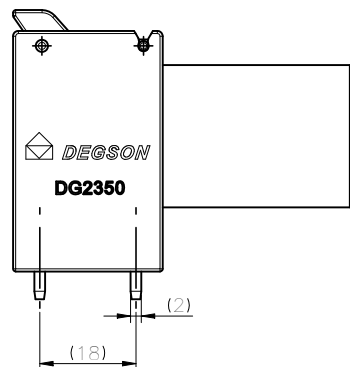
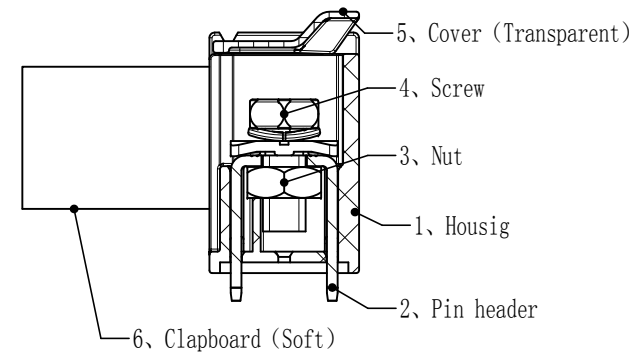
Note: The clapboards are made of soft material, and they will be bent;

(W/O Cover View)

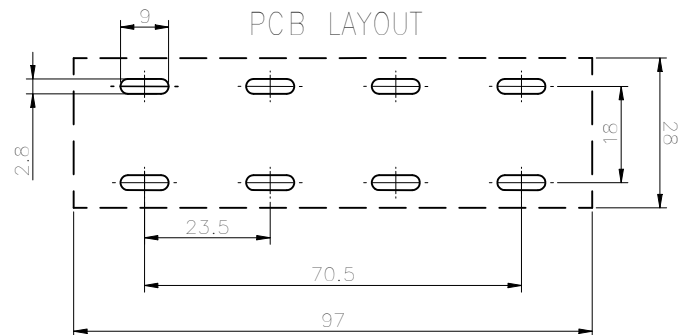


| 未注公差 (General Tolerances)(mm) | | | | | | | | | | | | D | | | |
|-------------------------------|-------|-------|-------|-------|-------|-------|-------|-------|-------|-------|-------|-------|-------|------|--------|
| ~3 | >3 | >6 | >10 | >18 | >30 | >50 | >80 | >120 | >180 | >250 | >315 | >400 | >500 | >500 | 0.1/10 |
| ±0.15 | ±0.18 | ±0.22 | ±0.28 | ±0.31 | ±0.37 | ±0.57 | ±0.80 | ±0.93 | ±1.05 | ±1.15 | ±1.60 | ±2.20 | ±2.50 | ±2 | ±2 |

A-A



Note: The A&Z (H) in the name means:A (H)&Z (H)



| ITEM | NAME OF PART | MATERIAL | NOTES |
|------|--------------|--------------|-----------------|
| 6 | Clapboard | Rubber | / |
| 5 | Cover | PC | UL94 V-2 |
| 4 | Screw | Steel | M8/Zn-Ni Plated |
| 3 | Nut | Steel | M8/Zn-Ni Plated |
| 2 | Pin header | Copper alloy | Sn Plated |
| 1 | Housing | PBT | UL94 V-0 |

| UL 标准/UL Standard: | B | C | D |
|---|--|-----------|---------|
| 额定电压/电压/Rated Voltage/Current | 600V/120A | 800V/120A | 600V/5A |
| IEC 标准/IEC Standard: | | | |
| 过压类别/Overvoltage Category/污染等级/Pollution Degree | III/3 | III/2 | II/2 |
| 额定电压/电压/Rated Voltage (V)/Current (A) | 750/120 | 800/120 | 800/120 |
| 额定脉冲电压 (KV)/Rate Impulse Voltage (KV) | 6 | 6 | 4 |
| 螺丝扭矩/Torque Tightening (N · m/Lb.in) | 额定: MS. 5.5/48.8 极限: >20.0N · M | | |
| 线径范围 (硬线和软线)/Wire Range (rigid and flexible) | AWG: 2-1/0; mm ² : 35-50 注: 配冷压头: | | |
| 间距/Pitch (mm)/线数范围/Poles | 23.50N=04P | | |
| 使用温度范围/Operating temperature (°C) | -40~+125 | | |
| 符合 RoHS 环保要求/Conform to RoHS | Yes | | |

DEGSON MATERIAL: SURFACE/COLOR: MAT NO./REV: - /00 MAT STATUS: 批量

DATE: 2021.12.15 NAME: DG2350-04P-1Y-50A&Z (H)

| | | | | | | | | | | |
|----|-----|-----|----------------------------------|------|------------|-------------|------------------|----------------|-------|-------|
| 00 | REV | ECN | DESCRIPTION | DRFT | DATE | DRAWING NO. | TYPE | DRAWING STATUS | SCALE | SHEET |
| | | | 2021-12-14; 用客户认可的3D生成第一张图, 版#00 | 高卫国 | 2021.12.15 | 200044779 | CUSTOMER DRAWING | 已发布 | 2:1 | 1/1 |

Transfer or duplication of this document as well as the utilization of its contents without the written permission of DEGSON is prohibited. All rights reserved. 复制或再行发布此文件以及其内容, 未经 DEGSON 书面许可, 是严格禁止的。保留所有权利。 未经授权, 复制或再行发布此文件以及其内容, 是严格禁止的。保留所有权利。