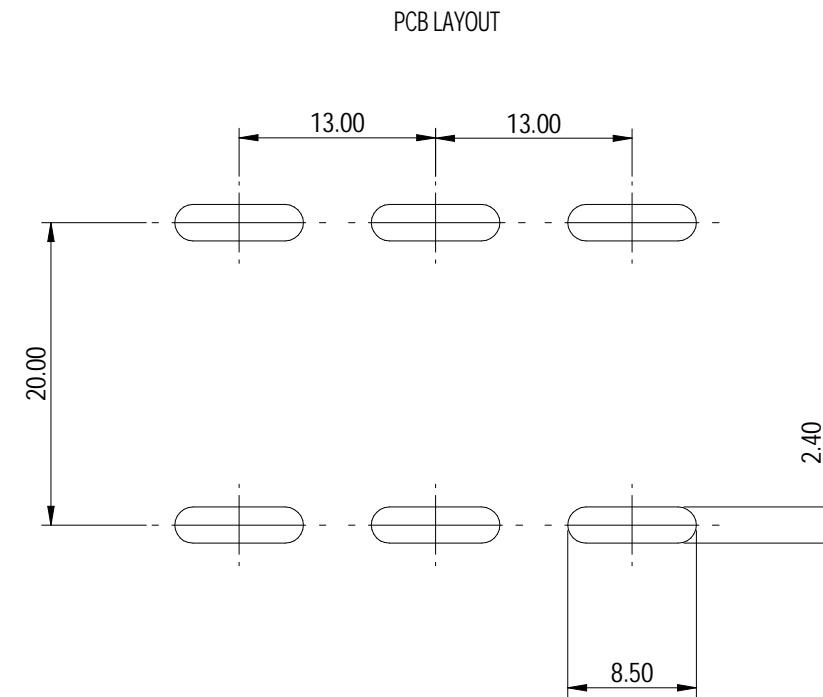
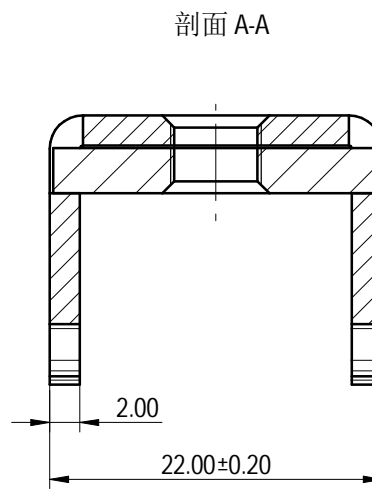
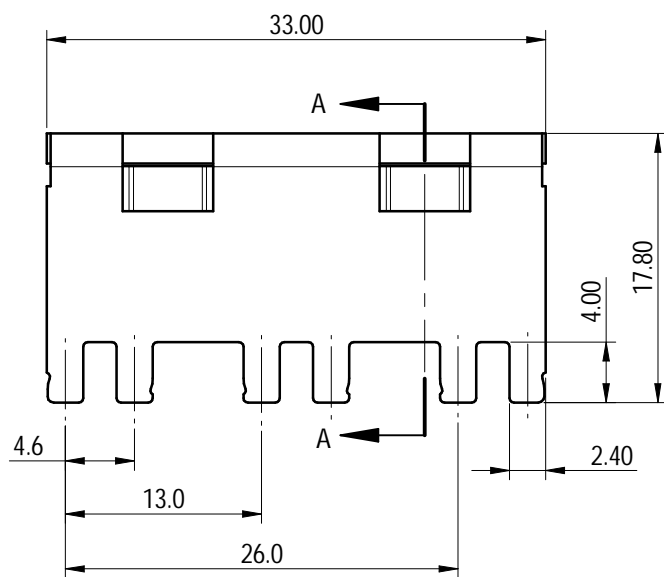
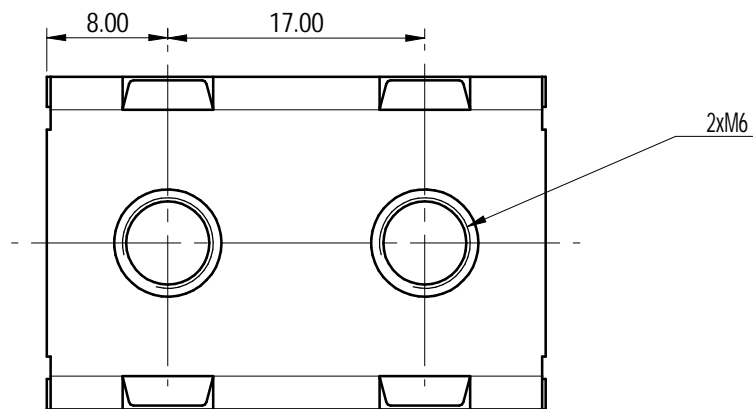


未注公差/General tolerances (mm)											0.1/10 ±2'		
0	>3	>6	>10	>18	>30	>50	>80	>120	>180	>250		>315	>400
~3	~6	~10	~18	~30	~50	~80	~120	~180	~250	~315	~400	~500	~500
±0.12	±0.18	±0.22	±0.26	±0.31	±0.37	±0.57	±0.80	±0.93	±1.05	±1.15	±1.60	±2.20	±2.50
UL 额定电流/Rated Current												269A	
螺栓扭矩/Tightening torque(N · m/Lb.in)												M6, 3.5/31.01	
符合 RoHS 环保要求/Conform to RoHS												Yes	



DEGSON		MATERIAL:	SURFACE/COLOR:	
APPD: 蓝贵凡	2024.05.30	MAT NO./REV: /00	MAT STATUS: 批量	
CHKD: 曹利彬	2024.05.30	NAME: K59-00Z(H)		
DRAFT: 孙科豪	2024.05.30	DRAWING NO. 200103775	TYPE: CUSTOMER DRAWING	DRAWING STATUS: 已发布
REV: /	ECN: /	DESCRIPTION: /	DRFT: 孙科豪	DATE: 2024.05.30
00	/	/	孙科豪	2024.05.30
REV	ECN	DESCRIPTION	DRFT	DATE
		A3		1/1
		1:1		1/1

Transfer or duplication of this document as well as the utilization or communication of its contents are prohibited unless explicit authorization is granted. Violations will be liable for compensation. All rights reserved for patent. 复制或再行传播此文件以及其内容之利用或沟通均须经本公司书面许可。未经许可擅自复制或传播者，本公司保留追究法律责任。本公司保留所有权利。