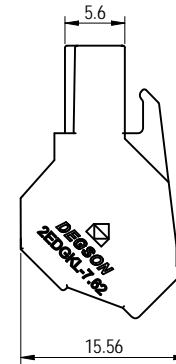
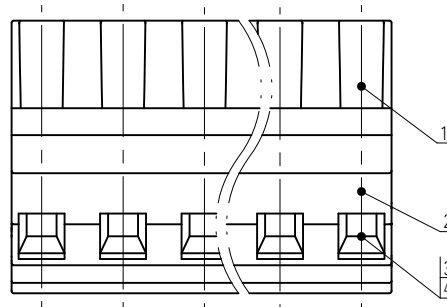
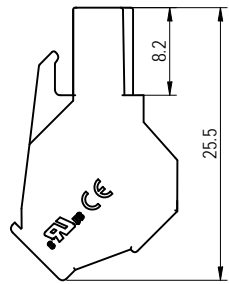
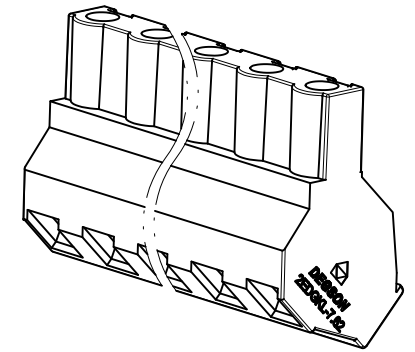
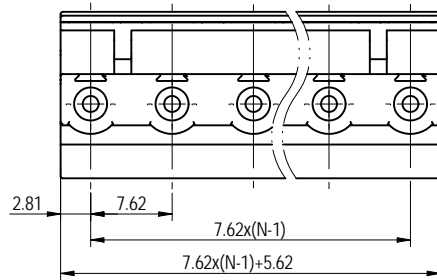
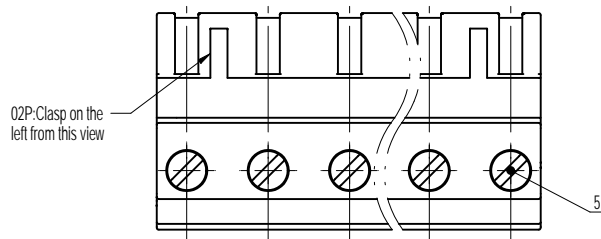


| 未注公差/General tolerances (mm) |       |       |       |       |       |       |       |       |       |       | D<br>0.1/10 |       |       |      |
|------------------------------|-------|-------|-------|-------|-------|-------|-------|-------|-------|-------|-------------|-------|-------|------|
| 0                            | >3    | >6    | >10   | >18   | >30   | >50   | >80   | >120  | >180  | >250  |             | >315  | >400  | >500 |
| ~                            | 3     | 6     | 10    | 18    | 30    | 50    | 80    | 120   | 180   | 250   | 315         | 400   | 500   | >500 |
| ±0.12                        | ±0.18 | ±0.22 | ±0.26 | ±0.31 | ±0.37 | ±0.57 | ±0.80 | ±0.93 | ±1.05 | ±1.15 | ±1.60       | ±2.20 | ±2.50 | ±2   |



A

视图 A



Note:  
The A&Z(H) in the name means: A(H) and Z(H).

| ITEM | NAME OF PART | MATERIAL     | NOTES        |
|------|--------------|--------------|--------------|
| 5    | Screw        | Steel        | M3/Zn Plated |
| 4    | Clamp        | Copper alloy | Sn Plated    |
| 3    | Cage         | Copper alloy | M3/Ni Plated |
| 2    | Cover        | PA66         | UL94V-0      |
| 1    | Housing      | PA66         | UL94V-0      |

| UL 标准/UL Standard:   | B               | C      | D       |
|--|-----------------|--------|---------|
| 额定电压/电流/Rated Voltage(V)/Current(A)                              | 300/10          | /      | 300/10  |
| IEC 标准/IEC Standard:   |                 |        |         |
| 过压类别/Overvoltage Category/污染等级/Pollution Degree                  | III/3           | III/2  | II/2    |
| 额定电压/电流/Rated Voltage(V)/Current(A)                              | 400/12          | 630/12 | 1000/12 |
| 额定脉冲电压(KV)/Rate Impulse Voltage(KV)                              | 6               | 6      | 6       |
| 螺丝扭矩/Torque Tightening(N·m/Lb.in)                                | M3: 0.5/4.43    |        |         |
| 线径范围(硬线和软线)/Wire Range(rigid and flexible)(AWG/mm <sup>2</sup> ) | 24~12 / 0.2~2.5 |        |         |
| 间距/Pitch(mm)/线数范围/Poles  | 7.62/N=02~16P   |        |         |
| 剥线长度/Stripping length(mm)  | 10~11           |        |         |
| 使用温度范围/Operating temperature(°C)                                 | -40~+105        |        |         |
| 符合RoHS环保要求/Conform to RoHS                                       | Yes             |        |         |
| 标准颜色编号/Standard color number: PANTONE / RAL                      | /               |        |         |

**DEGSON** MATERIAL: SURFACE/COLOR: / 00 MAT STATUS: 批量

APPD: 兰春华 2022.12.16 NAME: 2EDGKL-7.62-XXP-1Y-00A&Z(H)

CHKD: 黄耀志 2022.12.15

DRFT: 刘强 2022.12.15

DRAWING NO. 200030547 TYPE CUSTOMER DRAWING DRAWING STATUS 已发布 SCALE 2:1 SHEET 1/1

| REV | ECN | DESCRIPTION | DRFT | DATE       |
|-----|-----|-------------|------|------------|
| 00  |     |             | 刘强   | 2022.12.15 |

Transfer or duplication of this document, as well as the utilization or manufacturing of products without the explicit written consent of DEGSON, is strictly prohibited. All rights reserved for patent.