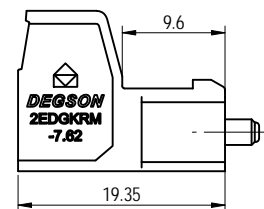
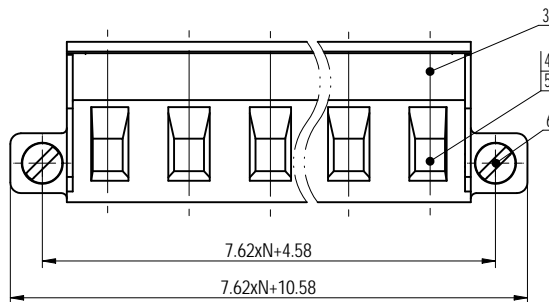
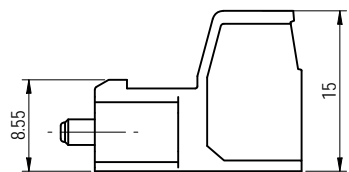
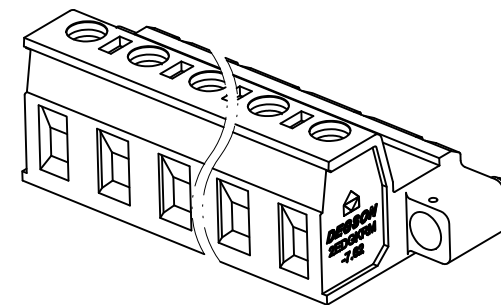
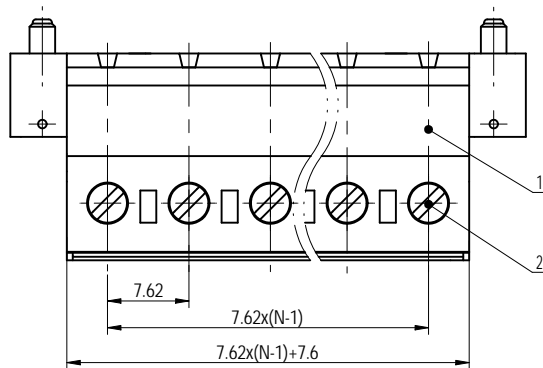


| 未注公差/General tolerances (mm) |       |       |       |       |       |       |       |       |       |       |       |       | 0.1/10<br>±2 |
|------------------------------|-------|-------|-------|-------|-------|-------|-------|-------|-------|-------|-------|-------|--------------|
| 0                            | >3    | >6    | >10   | >18   | >30   | >50   | >80   | >120  | >180  | >250  | >315  | >400  |              |
| ~3                           | ~6    | ~10   | ~18   | ~30   | ~50   | ~80   | ~120  | ~180  | ~250  | ~315  | ~400  | ~500  | ~500         |
| ±0.12                        | ±0.18 | ±0.22 | ±0.26 | ±0.31 | ±0.37 | ±0.57 | ±0.80 | ±0.93 | ±1.05 | ±1.15 | ±1.60 | ±2.20 | ±2.50        |



Note:  
The A&Z(H) in the name means: A(H) and Z(H).

| ITEM | NAME OF PART | MATERIAL     | NOTES          |
|------|--------------|--------------|----------------|
| 5    | Screw        | Steel        | M2.5/Zn Plated |
| 5    | Pin          | Copper       | Sn Plated      |
| 4    | Cage         | Copper alloy | M3/Ni Plated   |
| 3    | Cover        | PA66         | UL94V-0        |
| 2    | Screw        | Steel        | M3/Zn Plated   |
| 1    | Housing      | PA66         | UL94V-0        |

| UL 标准/UL Standard:                                  | B               | C      | D      |
|---|-----------------|--------|--------|
| 额定电压/电流/Rated Voltage(V)/Current(A)                 | 300/15          | /      | 300/10 |
| IEC 标准/IEC Standard:                                |                 |        |        |
| 过压类别/Overvoltage Category/污染等级/Pollution Degree     | III/3           | III/2  | II/2   |
| 额定电压/电流/Rated Voltage(V)/Current(A)                 | /               | 400/20 | /      |
| 额定脉冲电压(KV)/Rate Impulse Voltage(KV)                 | /               | 4      | /      |
| 螺丝扭矩/Torque Tightening(N·m/Lb.in)                   | M3: 0.59/5.16   |        |        |
| 线径范围(硬线和软线)/Wire Range(rigid and flexible)(AWG/mm²) | 28~12 / 0.2~2.5 |        |        |
| 间距/Pitch(mm)/线数范围/Poles                             | 7.62/N=02~16P   |        |        |
| 剥线长度/Stripping length(mm)                           | 7~8             |        |        |
| 使用温度范围/Operating temperature(°C)                    | -40~+105        |        |        |
| 符合RoHS环保要求/Conform to RoHS                          | Yes             |        |        |
| 标准颜色编号/Standard color number: PANTONE / RAL         | /               |        |        |

|           |            |              |                              |                |                  |
|-----------|------------|--------------|------------------------------|----------------|------------------|
|           |            | MATERIAL:    |                              | SURFACE/COLOR: |                  |
| APPD: 兰春华 | 2022.12.16 | NAME:        | 2EDGKRM-7.62-XXP-1Y-00A&Z(H) |                |                  |
| CHKD: 黄耀志 | 2022.12.15 | MAT NO./REV: | / 00                         | MAT STATUS: 批量 |                  |
| DRFT: 刘强  | 2022.12.15 | DRAWING NO.  | 200030548                    | TYPE           | CUSTOMER DRAWING |
| REV       | ECN        | DESCRIPTION  | DRFT                         | DATE           | DRAWING STATUS   |
| 00        |            |              |                              | 2022.12.15     | 已发布              |
|           |            | A3           |                              | SCALE          |                  |
|           |            | 1/1          |                              | 2:1            |                  |

| REV | ECN | DESCRIPTION | DRFT | DATE       | DRAWING STATUS | SCALE | SHEET |
|-----|-----|-------------|------|------------|----------------|-------|-------|
| 00  |     |             |      | 2022.12.15 | 已发布            | 2:1   | 1/1   |

Transfer or duplication of this document, as well as the utilization or reproduction of its contents without the written consent of DEGSON, is strictly prohibited. All rights reserved for patent.