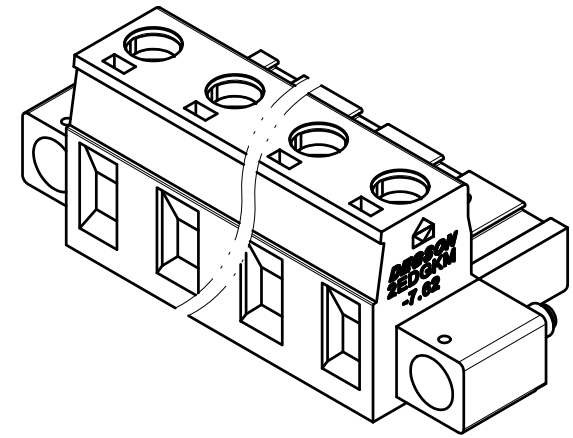
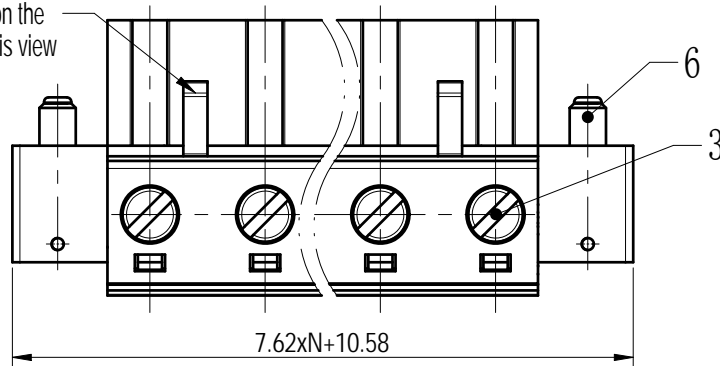


未注公差/General tolerances (mm)													0.1/10
0	>3	>6	>10	>18	>30	>50	>80	>120	>180	>250	>315	>400	
~3	~6	~10	~18	~30	~50	~80	~120	~180	~250	~315	~400	~500	>500
±0.12	±0.18	±0.22	±0.26	±0.31	±0.37	±0.57	±0.80	±0.93	±1.05	±1.15	±1.60	±2.20	±2.50

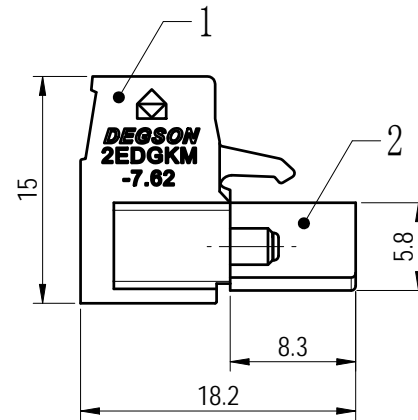
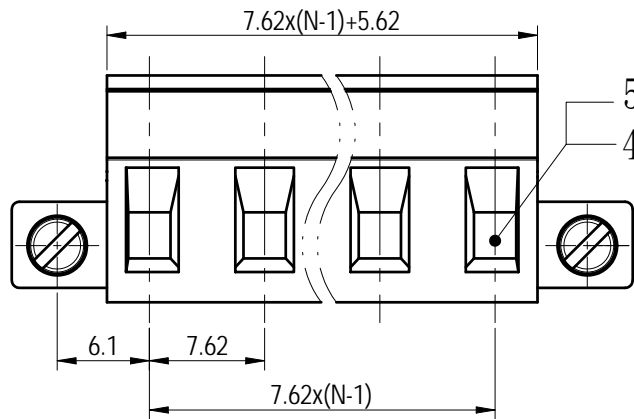
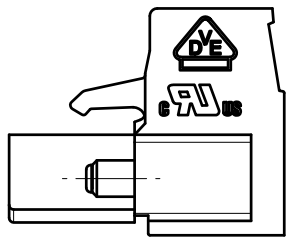
2P: Clasp on the left from this view



Note:
The A&Z(H) in the name means: A(H) and Z(H).

ITEM	NAME OF PART	MATERIAL	NOTES
6	Screw 2	Steel	M2.5/Zn Plated
5	Clamp	Copper alloy	Sn Plated
4	Cage	Copper alloy	M3/Ni Plated
3	Screw 1	Steel	M3/Zn Plated
2	Cover	PA66	UL94V-0
1	Housing	PA66	UL94V-0

ITEM	NAME OF PART	MATERIAL	NOTES	
UL 标准/UL Standard:		B	C	D
额定电压/电流/Rated Voltage(V)/Current(A)		300/15	/	300/10
IEC 标准/IEC Standard:				
过压类别/Ovenvoltage Category/污染等级/Pollution Degree		III/3	III/2	II/2
额定电压/电流/Rated Voltage(V)/Current(A)		/	400/20	/
额定脉冲电压(KV)/Rate Impulse Voltage(KV)		/	4	/
螺丝扭矩/Torque Tightening(N·m/Lb.in)		M3, 0.58/5.2		
线径范围(硬线和软线)/Wire Range(rigid and flexible)(AWG/mm²)		28~12/ 1.0~2.5		
间距/Pitch(mm)/线数范围/Poles		7.62/N=02~16P		
剥线长度/Stripping length(mm)		7~8		
使用温度范围/Operating temperature(°C)		-40~+105		
符合RoHS环保要求/Conform to RoHS		Yes		



MATERIAL:	SURFACE/COLOR:
MAT NO./REV:	MAT STATUS: 批量

APPD: 兰春华	2022.11.28	NAME	2EDGKM-7.62-XXP-1Y-1000A&Z(H)		
CHKD: 龚耀志	2022.11.28	DRAWING NO.	200020089	TYPE	CUSTOMER DRAWING

00	REV	ECN	DESCRIPTION	DRFT	DATE	200020089	TYPE	CUSTOMER DRAWING	DRAWING STATUS	SCALE	SHEET
				朱岳鹏	2022.11.28	200020089			已发布	2:1	1/1

Transfer or duplication of this document as well as the utilization or communication of its content are prohibited unless authorized in writing by DEGSON. All rights reserved for patent, utility model or design registrations. 除专利等明确标注外，其他标注均归 DEGSON 所有。未经授权，不得复制或传播。 未经授权，不得复制或传播。