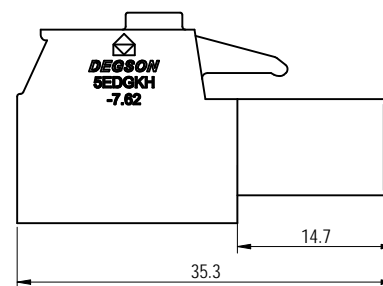
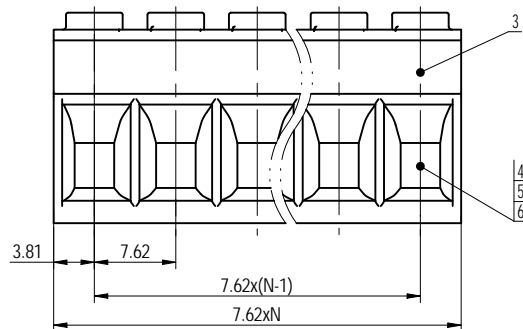
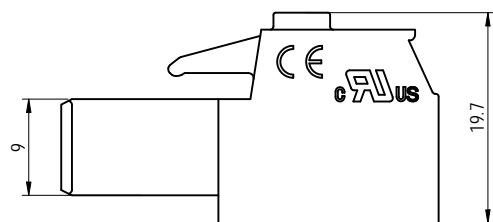
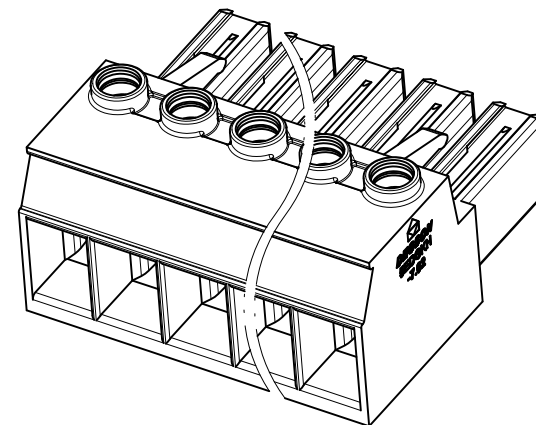
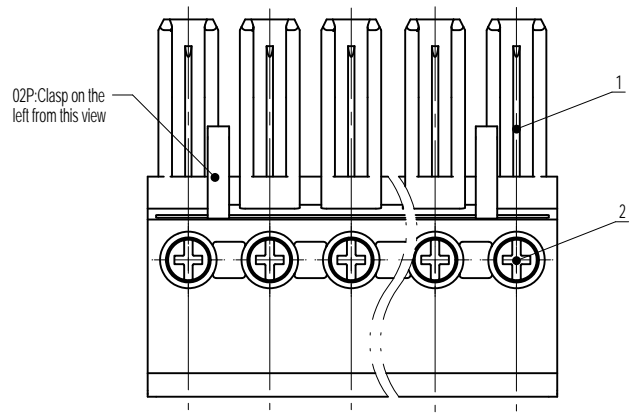


公差/General tolerances (mm)											0.1/10			
0	>3	>6	>10	>18	>30	>50	>80	>120	>180	>250	>315	>400	>500	±2
~	~	~	~	~	~	~	~	~	~	~	~	~	~	
3	6	10	18	30	50	80	120	180	250	315	400	500		
±0.12	±0.18	±0.22	±0.26	±0.31	±0.37	±0.57	±0.80	±0.93	±1.05	±1.15	±1.60	±2.20	±2.50	



Note:
The A&Z (H) in the name means: A (H) and Z (H).

ITEM	NAME OF PART	MATERIAL	NOTES
6	Spring	Stainless steel	/
5	Clamp	Copper alloy	Sn Plated
4	Cage	Copper alloy	M3/Ni Plated
3	Cover	PA66	UL94V-0
2	Screw	Steel	M3/Zn Plated
1	Housing	PA66	UL94V-0

UL 标准/UL Standard:	B	C	D
额定电压/电流/Rated Voltage(V)/Current(A)	600/41	600/41	600/5
IEC 标准/IEC Standard:			
过压类别/Overvoltage Category/污染等级/Pollution Degree	III/3	III/2	II/2
额定电压/电流/Rated Voltage(V)/Current(A)	1000/41	1000/41	1000/41
额定脉冲电压(KV)/Rate Impulse Voltage(KV)	8	8	6
螺丝扭矩/Torque Tightening(N·m/Lb.in)	M3: 0.8/8.16		
线径范围(硬线和软线)/Wire Range(rigid and flexible)(AWG/mm ²)	24~8(st), 24~10(sol) / 0.5~6		
间距/Pitch(mm)/线数范围/Poles	7.62/N=02~12P		
剥线长度/Stripping length(mm)	11		
使用温度范围/Operating temperature(°C)	-40~+105		
符合RoHS环保要求/Conform to RoHS	Yes		
标准颜色编号/Standard color number: PANTONE / RAL	/		

		MATERIAL:		SURFACE/COLOR:	
APPD: 兰春华	2022.12.15	MAT NO./REV: / 00		MAT STATUS: 批量	
CHKD: 黄耀志	2022.12.14	NAME: 5EDGKH-7.62-XXP-1Y-02A&Z(H)			
DRFT: 刘强	2022.12.14	DRAWING NO. 200030891	TYPE CUSTOMER DRAWING	DRAWING STATUS 已发布	SCALE 2:1
REV	ECN	DESCRIPTION	DRFT	DATE	SHEET 1/1

REV	ECN	DESCRIPTION	DRFT	DATE
00			刘强	2022.12.14

Transfer or duplication of this document as well as the utilization or manufacturing of the products are prohibited without the written consent of DEGSON. All rights reserved for patent.