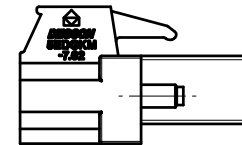
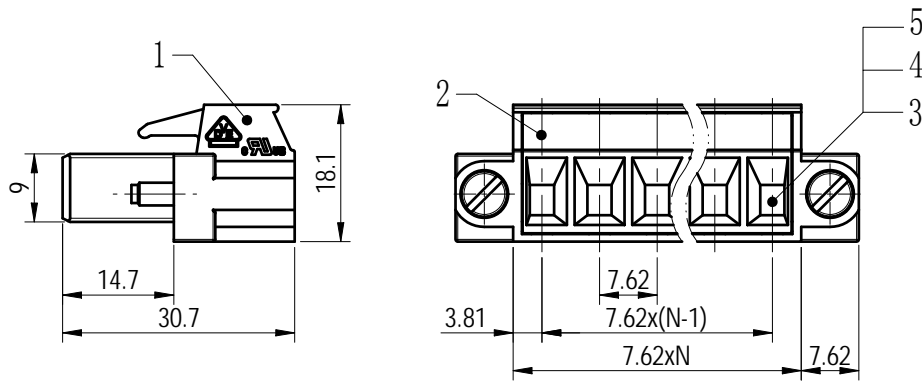
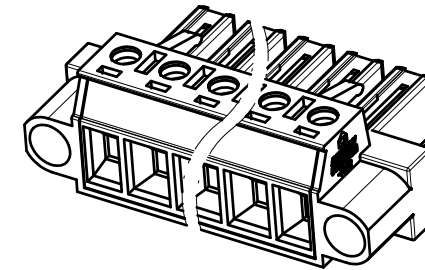
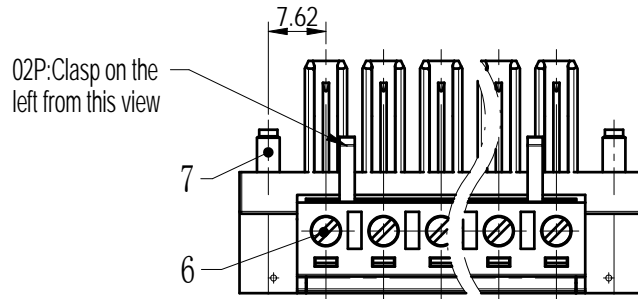


Transfer or duplication of this document as well as the utilization or communication of its contents are prohibited unless authorized in writing by DEGSON. All rights reserved for patent, utility model or design registrations. 除专利等明确标注外, 未经许可, 不得复制或传播。 未经授权, 不得复制或传播。 保留所有权利及专利权。 未经许可, 不得复制或传播。 保留所有权利及专利权。

未注公差/General tolerances (mm)														0.1/10 ±2'
0 ~ 3	>3 ~ 6	>6 ~ 10	>10 ~ 18	>18 ~ 30	>30 ~ 50	>50 ~ 80	>80 ~ 120	>120 ~ 180	>180 ~ 250	>250 ~ 315	>315 ~ 400	>400 ~ 500	>500	
±0.12	±0.18	±0.22	±0.26	±0.31	±0.37	±0.57	±0.80	±0.93	±1.05	±1.15	±1.60	±2.20	±2.50	

ITEM	NAME OF PART	MATERIAL	NOTES
7	Screw 2	Steel	M3/Zn Plated
6	Screw 1	Steel	M3/Zn Plated
5	Cage	Copper alloy	M3/Ni Plated
4	Spring	Stainless steel	/
3	Clamp	Copper alloy	Sn Plated
2	Cover	PA66	UL94V-0
1	Housing	PA66	UL94V-0



Note:  
The A&Z (H) in the name means: A(H) and Z(H).

UL 标准/UL Standard:	B	C	D
额定电压/电流/Rated Voltage(V)/Current(A)	300/30	300/30	600/5
IEC 标准/IEC Standard:			
过压类别/Overvoltage Category/污染等级/Pollution Degree	III/3	III/2	II/2
额定电压/电流/Rated Voltage(V)/Current(A)	/	400/32	/
额定脉冲电压(KV)/Rate Impulse Voltage(KV)	/	4	/
螺丝扭矩/Torque Tightening(N·m/Lb.in)	M3, 0.5/4.43		
线径范围(硬线和软线)/Wire Range(rigid and flexible)(AWG/mm <sup>2</sup> )	28~10 / 0.2~4		
间距/Pitch(mm)/线数范围/Poles	7.62/N=02~12P		
剥线长度/Stripping length(mm)	7~8		
使用温度范围/Operating temperature(°C)	-40~+105		
符合RoHS环保要求/Conform to RoHS	Yes		

		MATERIAL:	SURFACE/COLOR:		
		MAT NO./REV:	MAT STATUS: 批量		
APPD: 兰春华	2023.02.24	NAME			
CHKD: 龚耀志	2023.02.24	5EDGKM-7.62-XXP-1Y-00A&Z(H)			
DRFT: 朱岳鹏	2023.02.23	DRAWING NO.	TYPE	DRAWING STATUS	SCALE
REV	ECN	DESCRIPTION	DRFT	DATE	DATE
00			朱岳鹏	2023.02.23	2023.02.23
1			朱岳鹏	2023.02.23	2023.02.23

REV	ECN	DESCRIPTION	DRFT	DATE
00			朱岳鹏	2023.02.23
1			朱岳鹏	2023.02.23