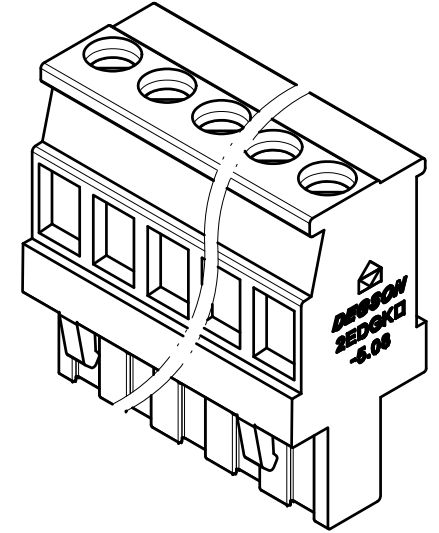


| 公差/General tolerances (mm) | | | | | | | | | | | | | 0.1/10 |
|----------------------------|-------|-------|-------|-------|-------|-------|-------|-------|-------|-------|-------|-------|--------|
| 0 | >3 | >6 | >10 | >18 | >30 | >50 | >80 | >120 | >180 | >250 | >315 | >400 | |
| ~ | ~ | ~ | ~ | ~ | ~ | ~ | ~ | ~ | ~ | ~ | ~ | ~ | >500 |
| ±0.12 | ±0.18 | ±0.22 | ±0.26 | ±0.31 | ±0.37 | ±0.57 | ±0.80 | ±0.93 | ±1.05 | ±1.15 | ±1.60 | ±2.20 | ±2.50 |



Note:
The A&Z(H) in the name means: A(H) and Z(H).

| ITEM | NAME OF PART | MATERIAL | NOTES |
|------|--------------|--------------|--------------|
| 5 | Screw | Steel | M3/Zn Plated |
| 4 | Cage | Copper alloy | M3/Ni Plated |
| 3 | Clamp | Copper alloy | Sn Plated |
| 2 | Cover | PA66 | UL94V-0 |
| 1 | Housing | PA66 | UL94V-0 |

| UL 标准/UL Standard: | B | C | D |
|--|----------------|--------|--------|
| 额定电压/电流/Rated Voltage(V)/Current(A) | 300/15 | / | 300/10 |
| IEC 标准/IEC Standard: | | | |
| 过压类别/Overvoltage Category/污染等级/Pollution Degree | III/3 | III/2 | II/2 |
| 额定电压/电流/Rated Voltage(V)/Current(A) | / | 320/18 | / |
| 额定脉冲电压(KV)/Rate Impulse Voltage(KV) | / | 4 | / |
| 螺丝扭矩/Torque Tightening(N·m/Lb.in) | M3, 0.66/6 | | |
| 线径范围(硬线和软线)/Wire Range(rigid and flexible)(AWG/mm ²) | 28~12/ 1.0~2.5 | | |
| 间距/Pitch(mm)/线数范围/Poles | 5.08/N=02~24P | | |
| 剥线长度/Stripping length(mm) | 7 | | |
| 使用温度范围/Operating temperature(°C) | -40~+105 | | |
| 符合RoHS环保要求/Conform to RoHS | Yes | | |
| 标准颜色编号/Standard color number: PANTONE / RAL | / | | |

| | | | | | |
|----------------------|------------------|--------------------------------|----------------|-------|--|
| | | MATERIAL: | SURFACE/COLOR: | | |
| APPD: 兰春华 2022.11.14 | | MAT NO./REV: - / 00 | MAT STATUS: 批量 | | |
| CHKD: 龚耀志 2022.11.11 | | NAME | | | |
| DRFT: 胡松 2022.11.11 | | 2EDGKA-5.08-XXP-1Y-1000A&Z (H) | | | |
| DRAWING NO. | TYPE | DRAWING STATUS | SCALE | SHEET | |
| 200101574 | CUSTOMER DRAWING | 已发布 | 2:1 | 1/1 | |

| REV | ECN | DESCRIPTION | DRFT | DATE |
|-----|-----|-------------|------|------------|
| 00 | | | 胡松 | 2022.11.11 |

Transfer or duplication of this document as well as the utilization or communication of its contents are prohibited unless authorized in writing. All rights reserved for patent, utility model or design registrations. 除专利权、商标权、外观设计权等注册外，未经许可，不得复制或传播本文件内容。本公司保留对本文件的所有权利。