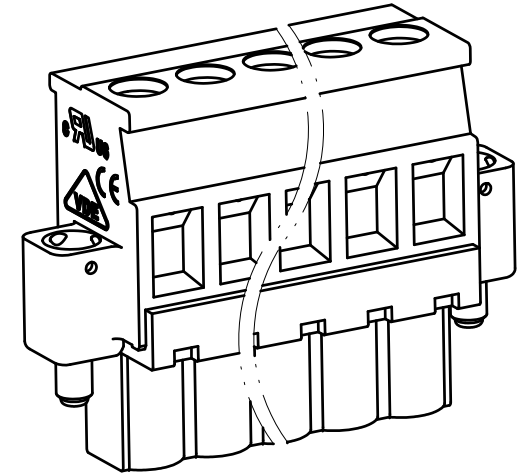
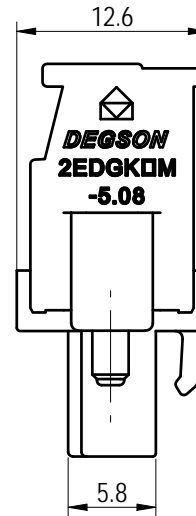
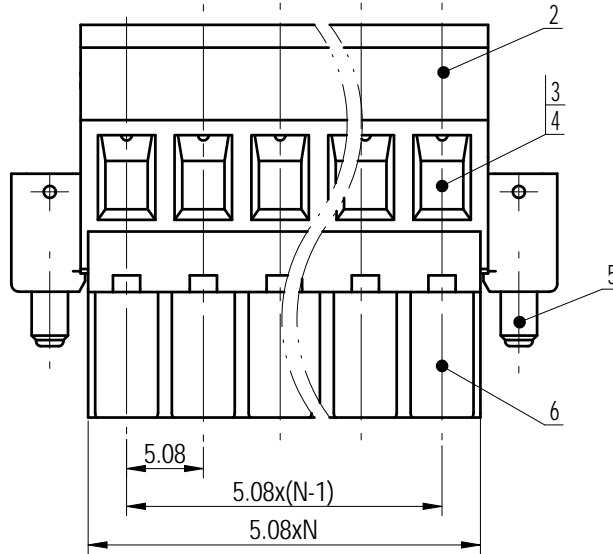
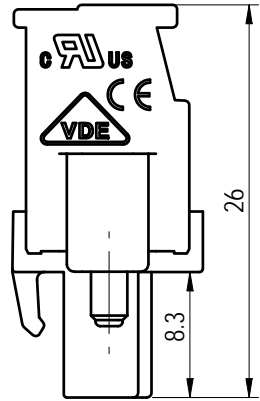
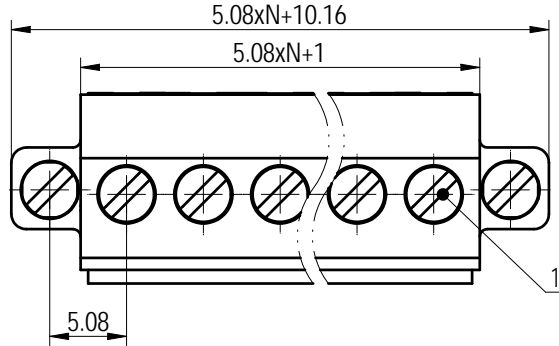


未注公差/General tolerances (mm)												0.1/10	
0	>3	>6	>10	>18	>30	>50	>80	>120	>180	>250	>315		>400
~3	~6	~10	~18	~30	~50	~80	~120	~180	~250	~315	~400	~500	>500
±0.12	±0.18	±0.22	±0.26	±0.31	±0.37	±0.57	±0.80	±0.93	±1.05	±1.15	±1.60	±2.20	±2.50



Note:
The A&Z(H) in the name means: A(H) and Z(H).

ITEM	NAME OF PART	MATERIAL	NOTES
6	Cover	PA66	UL94V-0
5	Screw	Steel	M2.5/Zn Plated
4	Clamp	Copper alloy	Sn Plated
3	Cage	Copper alloy	M3/Ni Plated
2	Housing	PA66	UL94V-0
1	Screw	Steel	M3/Zn Plated

UL 标准/UL Standard:	B	C	D
额定电压/电流/Rated Voltage(V)/Current(A)	300/15	/	300/10
IEC 标准/IEC Standard:			
过压类别/Overvoltage Category/污染等级/Pollution Degree	III/3	III/2	II/2
额定电压/电流/Rated Voltage(V)/Current(A)	/	320/18	/
额定脉冲电压(KV)/Rate Impulse Voltage(KV)	/	4	/
螺丝扭矩/Torque Tightening(N·m/Lb.in)	M3, 0.5/4.43		
线径范围(硬线和软线)/Wire Range (rigid and flexible)(AWG/mm ²)	28~12/ 1.0~2.5		
间距/Pitch(mm)/线数范围/Poles	5.08/N=02~22P		
剥线长度/Stripping length(mm)	7		
使用温度范围/Operating temperature(°C)	-40~+105		
符合RoHS环保要求/Conform to RoHS	Yes		
标准颜色编号/Standard color number: PANTONE / RAL	/		

02P:Clasp on the left from this view

REV	ECN	DESCRIPTION	DRFT	DATE
00			刘强	2022.11.08

DEGSON		MATERIAL:	SURFACE/COLOR:
APPD: 兰春华	2022.11.09	MAT NO./REV: / 00	MAT STATUS: 批量
CHKD: 龚耀志	2022.11.08	NAME	
DRFT: 刘强	2022.11.08	2EDGKBM-5.08-XXP-1Y-1000A&Z(H)	
①	②	DRAWING NO. 200030425	TYPE CUSTOMER DRAWING
A4	←mm (inch)	DRAWING STATUS 已发布	SCALE 2:1
			SHEET 1/1

Transfer or duplication of this document as well as the utilization or communication of its contents are prohibited without express authorization by Degson. Violations will be liable for compensation. All rights reserved for patent, utility model or design registrations. 除专利及外观设计注册外, 未经授权, 不得复制或传播本文件内容。 未经授权, 不得复制或传播本文件内容。 未经授权, 不得复制或传播本文件内容。