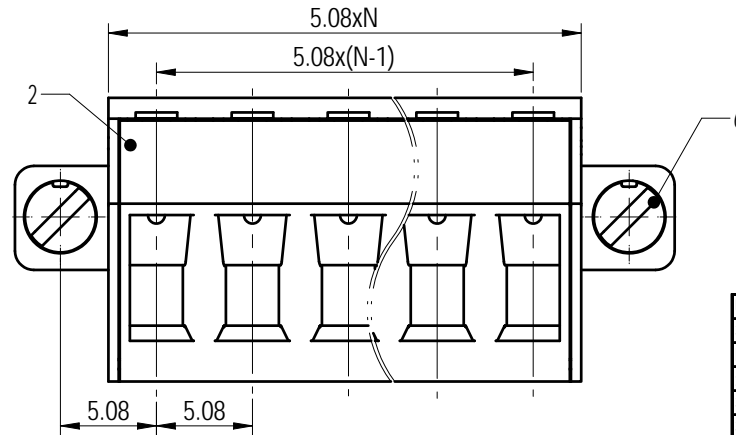
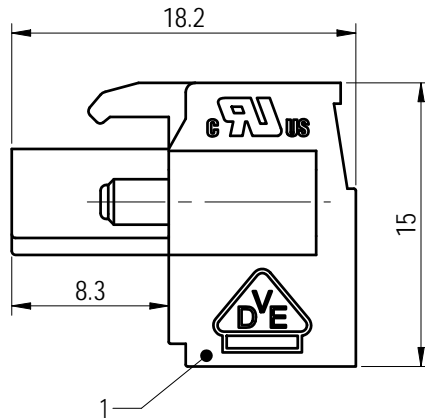
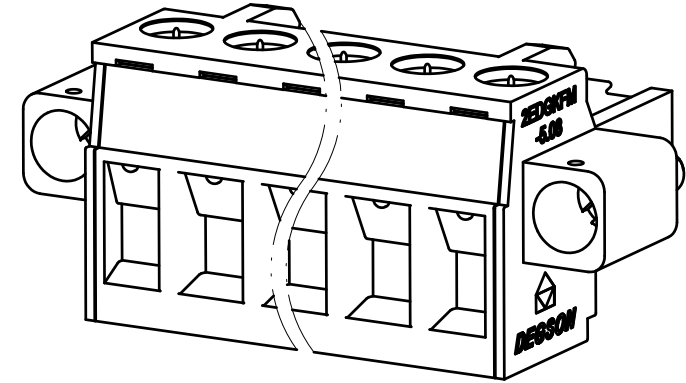
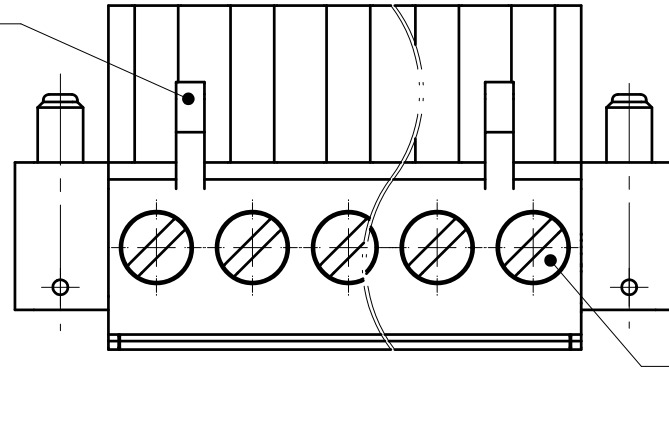


未注公差/General tolerances (mm)													0.1/10
0	>3	>6	>10	>18	>30	>50	>80	>120	>180	>250	>315	>400	
~ 3	~ 6	~ 10	~ 18	~ 30	~ 50	~ 80	~ 120	~ 180	~ 250	~ 315	~ 400	~ 500	±2'
±0.12	±0.18	±0.22	±0.26	±0.31	±0.37	±0.57	±0.80	±0.93	±1.05	±1.15	±1.60	±2.20	

02P:Clasp on the left from this view



Note:

The A&Z (H) in the name means: A(H) and Z(H).

ITEM	NAME OF PART	MATERIAL	NOTES
6	Screw2	Steel	Zn Plated
5	Clamp	Copper alloy	Sn Plated
4	Cage	Copper alloy	Ni Plated
3	Screw1	Steel	Zn Plated
2	Cover	PA66	UL94V-0
1	Housing	PA66	UL94V-0

UL 标准/UL Standard:	B	C	D
额定电压/电流/Rated Voltage(V)/Current(A)	300/15	/	300/10
IEC 标准/IEC Standard:			
过压类别/Overvoltage Category/污染等级/Pollution Degree	III/3	III/2	II/2
额定电压/电流/Rated Voltage(V)/Current(A)	/	320/20	/
额定脉冲电压(KV)/Rate Impulse Voltage(KV)	/	4	/
螺丝扭矩/Torque Tightening(N·m/Lb.in)	M3, 0.5/4.43		
线径范围(硬线和软线)/Wire Range(rigid and flexible)(AWG/mm ²)	28~12/ 0.2~2.5		
间距/Pitch(mm)/线数范围/Poles	5.08/N=02~24P		
剥线长度/Stripping length(mm)	7~8		
使用温度范围/Operating temperature(°C)	-40~+105		
符合RoHS环保要求/Conform to RoHS	Yes		
标准颜色编号/Standard color number: PANTONE / RAL	/		

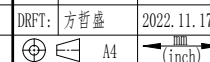


MATERIAL:	SURFACE/COLOR:
MAT NO./REV: - / 01	MAT STATUS: 批量

APPD: 兰春华	2022.11.17
CHKD: 龚耀志	2022.11.17
DRFT: 方哲盛	2022.11.17

NAME	2EDGKFM-5.08-XXP-1Y-1000A&Z(H)			
DRAWING NO.	TYPE	DRAWING STATUS	SCALE	SHEET
200019494	CUSTOMER DRAWING	已发布	2.5:1	1/1

00			方哲盛	2022.11.17
REV	ECN	DESCRIPTION	DRFT	DATE



DRAWING NO.	TYPE	DRAWING STATUS	SCALE	SHEET
200019494	CUSTOMER DRAWING	已发布	2.5:1	1/1

Transfer or duplication of this document as well as the utilization or communication of its contents are prohibited unless authorized in writing. All rights reserved for patent, utility model or design registrations. 除专利、实用新型、外观设计注册外，其他内容均受法律保护。未经许可，不得复制或传播。 版权所有，侵权必究。