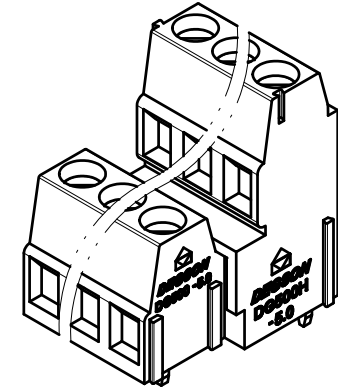
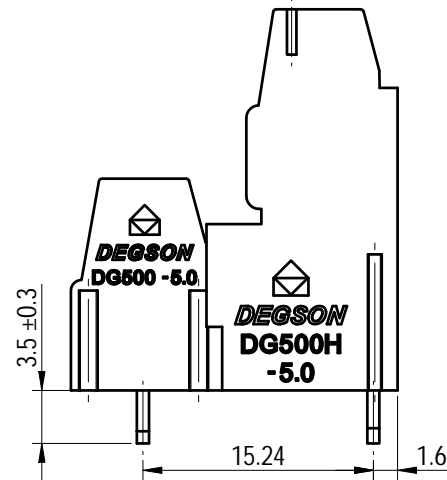
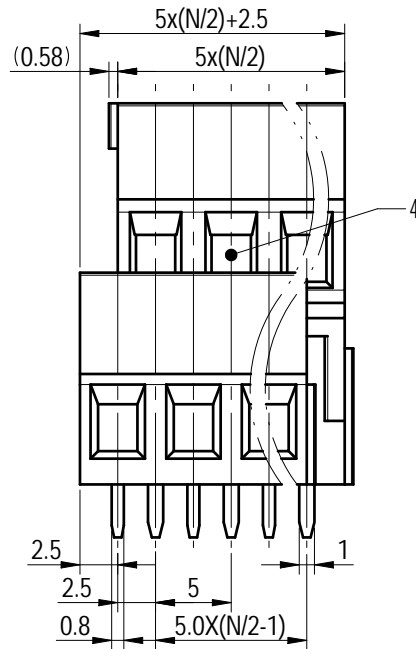
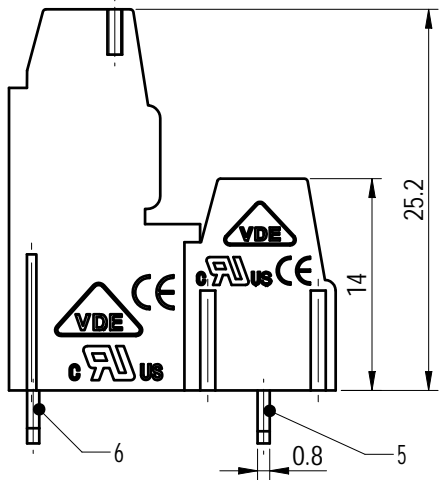
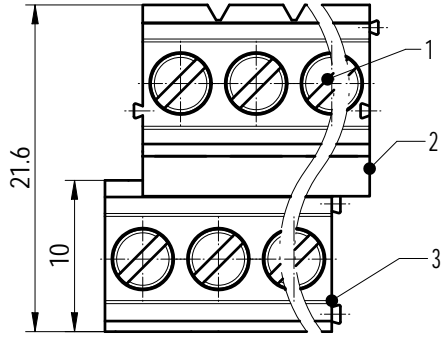
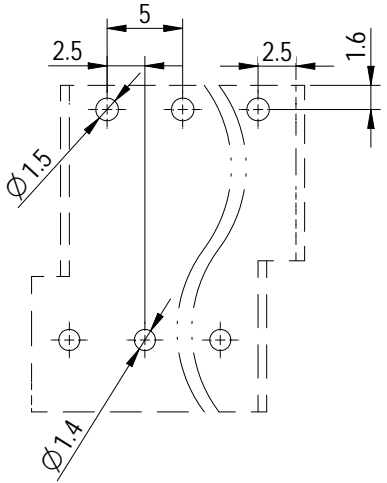


PCB LAYOUT



未注公差/General tolerances (mm)												0.1/10												
0	>3	>6	>10	>18	>30	>50	>80	>120	>180	>250	>315	>400	>500	±2'										
~3	~6	~10	~18	~30	~50	~80	~120	~180	~250	~315	~400	~500												
±0.12												±0.18	±0.22	±0.26	±0.31	±0.37	±0.57	±0.80	±0.93	±1.05	±1.15	±1.60	±2.20	±2.50

UL 标准/UL Standard:	B	C	D
额定电压/电流/Rated Voltage(V)/Current(A)	300/20	/	300/10
IEC 标准/IEC Standard:			
过压类别/Overvoltage Category/污染等级/Pollution Degree	III/3	III/2	II/2
额定电压/电流/Rated Voltage(V)/Current(A)	/	250/18	/
工频耐压/Withstanding Voltage(V/min)	AC2000		
螺丝扭矩/Torque Tightening(N·m/Lb.in)	M3, 0.5/4.5		
线径范围(硬线和软线)/Wire Range(rigid and flexible)(AWG/mm²)	28~12 / 1.0~2.5		
间距/Pitch(mm)/线数范围/Poles	5.0/N=04~48P		
剥线长度/Stripping length(mm)	6~7		
使用温度范围/Operating temperature(°C)	-40~+105		
符合RoHS环保要求/Conform to RoHS	Yes		

Note:
The A&Z(H) in the name means: A(H) and Z(H).

ITEM	NAME OF PART	MATERIAL	NOTES
6	Pin header 2	Copper alloy	Sn Plated
5	Pin header 1	Copper alloy	Sn Plated
4	Cage	Copper alloy	M3/Ni Plated
3	Housing 2	PA66	UL94V-0
2	Housing 1	PA66	UL94V-0
1	Screw	Steel	M3/Zn Plated

		MATERIAL: /		SURFACE/COLOR: /	
APPD: 兰春华 2023.01.09		MAT NO./REV: - / 00		MAT STATUS: 批量	
CHKD: 陈招 2023.01.09		NAME			
DRFT: 柳学龙 2023.01.09		DG500B-5.0-XXP-1Y-1000A&Z(H)			
DRAWING NO.	TYPE	DRAWING STATUS	SCALE	SHEET	
200025568	CUSTOMER DRAWING	已发布	2:1	1/1	

REV	ECN	DESCRIPTION	DRFT	DATE
00			柳学龙	2023.01.09

Transfer or duplication of this document as well as the utilization or communication of its contents are prohibited unless authorized in writing by Degson. All rights reserved for patent, utility model or design registrations. 除专利、商标、实用新型、外观设计等知识产权保护外，未经许可，不得复制或传播本文件内容。Degson 保留所有权利。