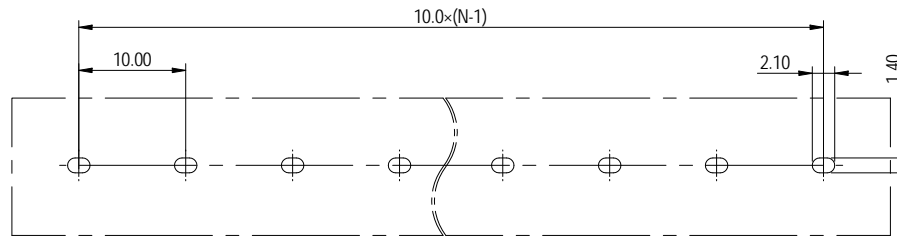
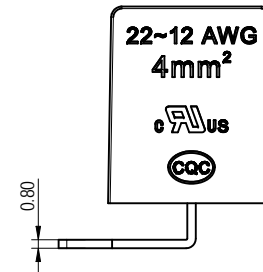
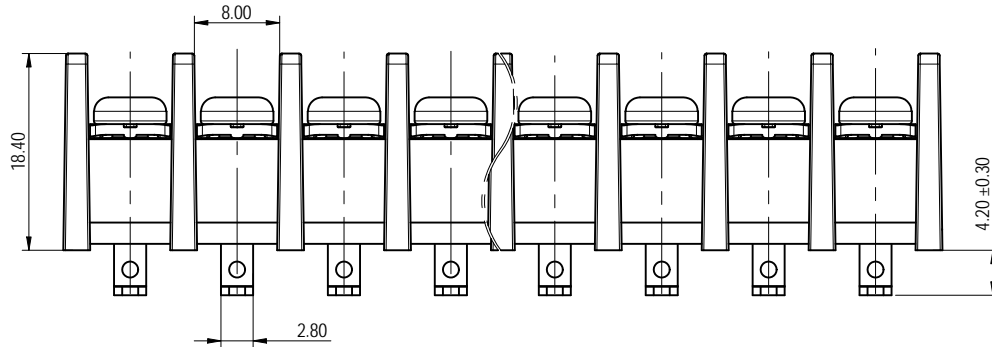
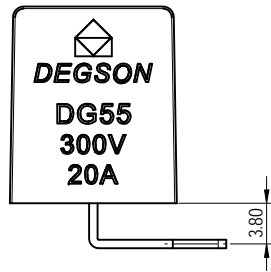
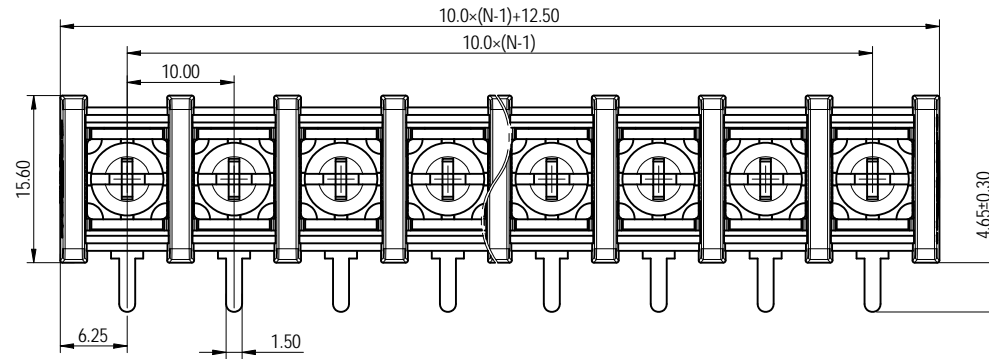


公差表 (General tolerances (mm))													D	
0	>3	>6	>10	>18	>30	>50	>80	>120	>180	>250	>315	>400		>500
±0.12	±0.18	±0.22	±0.26	±0.31	±0.37	±0.57	±0.80	±0.93	±1.05	±1.15	±1.60	±2.20	±2.50	0.1/10
													±2	



PCB LAYOUT

Note: The A&Z(H) in the name means: A(H) and Z(H).

ITEM	NAME OF PART	MATERIAL	NOTES
3	Screw	Steel	Ni Plated
2	Pin header	Copper alloy	Sn Plated
1	Housing	PA66	UL94V-0
UL 标准/UL Standard:			
额定电压/电压/Rated Voltage(V)/Current(A)		B	C D
		300/15	/ 300/10
IEC 标准/IEC Standard:			
过压类别/Overvoltage Category/污染等级/Pollution Degree			
额定电压/电压/Rated Voltage(V)/Current(A)		III/3	III/2 II/2
		250/20	320/20 630/20
额定脉冲电压(KV)/Rate Impulse Voltage(KV)			
		4	4 4
螺丝扭矩/Torque Tightening(N·m/Lb.in)			
		M3, 0.9/7.9	
线径范围(硬线和软线)/Wire Range(rigid and flexible)(AWG/mm²)			
		28~12/ 1.0~2.5	
间距/Pitch(mm)/线数范围/Poles			
		5.08/N=02~24P	
剥线长度/Stripping length(mm)			
		7~8	
使用温度范围/Operating temperature(°C)			
		-40~+105	
符合RoHS环保要求/Conform to RoHS			
		Yes	

DEGSON		MATERIAL:		SURFACE/COLOR:	
APPD: 蓝美凡	2024.01.16	NAME:	/ 00		
CHKD: 曹利彬	2024.01.16	MAT STATUS: 批量			
DRFT: 孙科豪		DRAWING NO. TYPE			
2024.01.16		200266659		CUSTOMER DRAWING	
A3		DRAWING STATUS		SCALE	SHEET
1/1		已发布		1:1	1/1

REV	ECN	DESCRIPTION	DRFT	DATE
00				

Transfer or duplication of this document as well as the utilization of its contents without the written permission of DEGSON is prohibited. All rights reserved for patent.