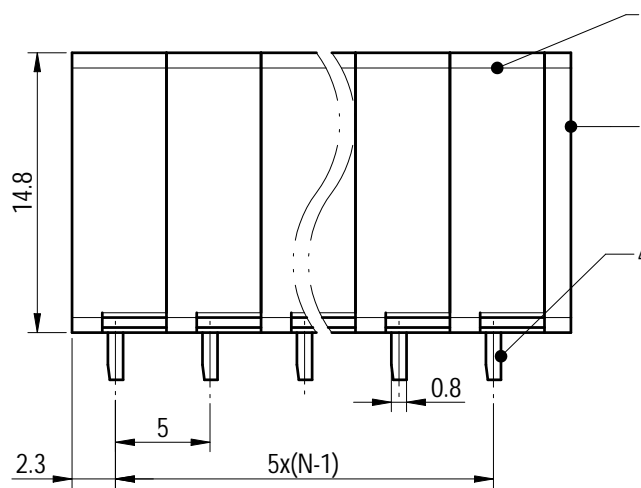
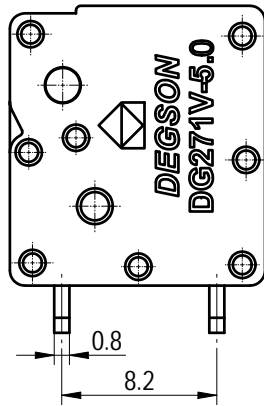
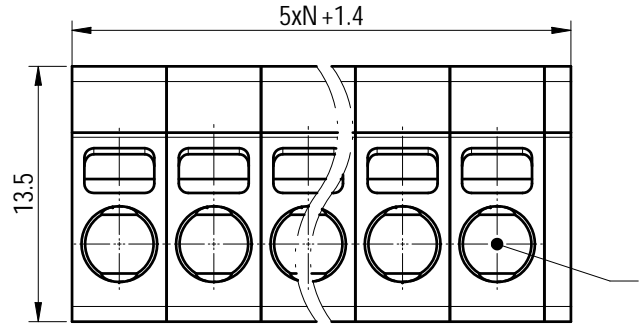
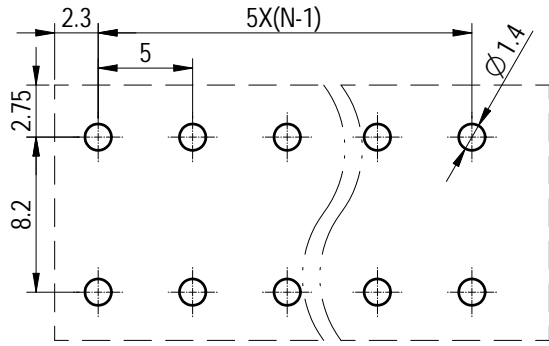
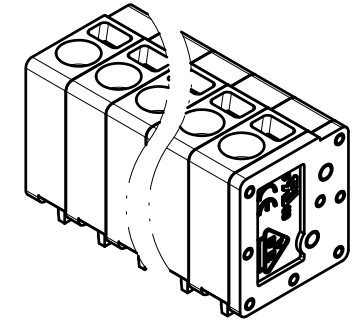
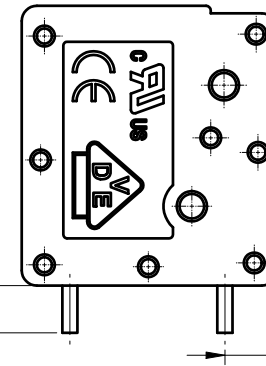


**PCB LAYOUT**



2.5 ±0.3



未注公差/General tolerances (mm)													0.1/10	
0	>3	>6	>10	>18	>30	>50	>80	>120	>180	>250	>315	>400		>500
±0.12	±0.18	±0.22	±0.26	±0.31	±0.37	±0.57	±0.80	±0.93	±1.05	±1.15	±1.60	±2.20	±2.50	±2'

UL 标准/UL Standard:	B	C	D
额定电压/电流/Rated Voltage(V)/Current(A)	300/20	/	/
IEC 标准/IEC Standard:			
过压类别/Overvoltage Category/污染等级/Pollution Degree	III/3	III/2	II/2
额定电压/电流/Rated Voltage(V)/Current(A)	250/24	400/24	630/24
额定脉冲电压(KV)/Rate Impulse Voltage(KV)	4	4	4
线径范围(硬线和软线)/Wire Range (rigid and flexible)(AWG/mm <sup>2</sup> )	24~12/ 0.2~2.5,4(Sol)		
间距/Pitch(mm)/线数范围/Poles	5/N=01~24P		
剥线长度/Stripping length(mm)	10		
使用温度范围/Operating temperature(°C)	-40~+105		
符合RoHS环保要求/Conform to RoHS	Yes		

Note:  
The A&Z(H) in the name means: A(H) and Z(H).

ITEM	NAME OF PART	MATERIAL	NOTES
4	Pin header	Copper	Sn plated
3	Cover	PA66	UL94V-0
2	Housing	PA66	UL94V-0
1	Spring	Stainless steel	/

<b>DEGSON</b>		MATERIAL: /	SURFACE/COLOR: /		
APPD: 兰春华	2022.08.16	MAT NO./REV: - / 00	MAT STATUS: 批量		
CHKD: 陈招	2022.08.16	NAME			
DRFT: 柳学龙	2022.08.16	DG271V-5.0-XXP-1Y-100A&Z(H)			
00	REV	ECN	DESCRIPTION	DRFT	DATE
00	REV	ECN	DESCRIPTION	DRFT	DATE
DRAWING NO. 200025158		TYPE CUSTOMER DRAWING	DRAWING STATUS 已发布	SCALE 2.5:1	SHEET 1/1

Transfer or duplication of this document as well as the utilization or communication of its contents are prohibited unless authorized in writing. All rights reserved for patent. 除专利注明情况外，其他内容均受版权保护。未经许可，不得复制或传播。 除专利注明情况外，其他内容均受版权保护。 除专利注明情况外，其他内容均受版权保护。