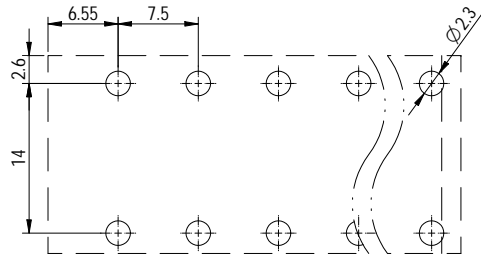
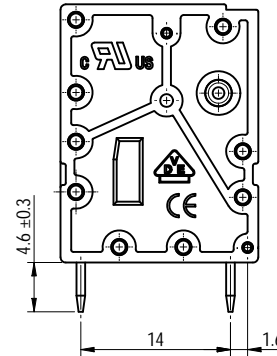
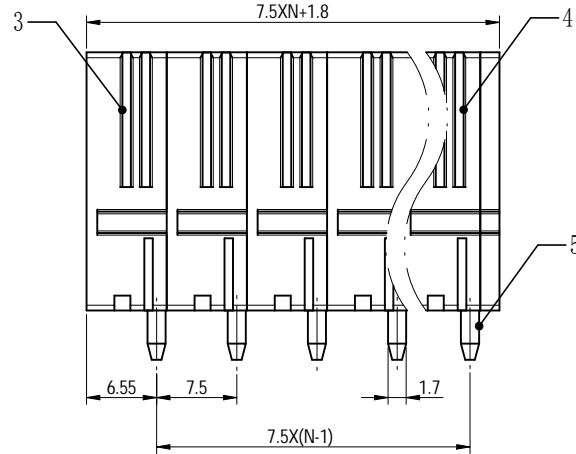
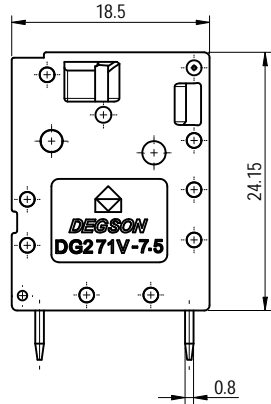
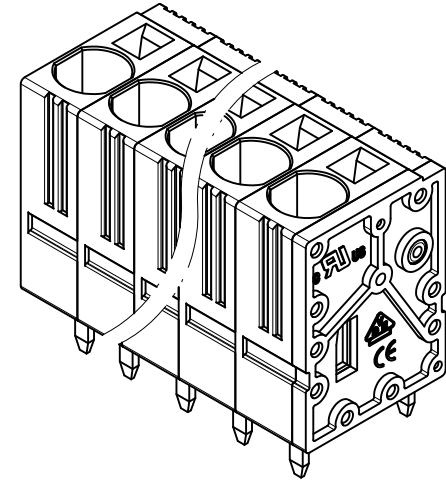
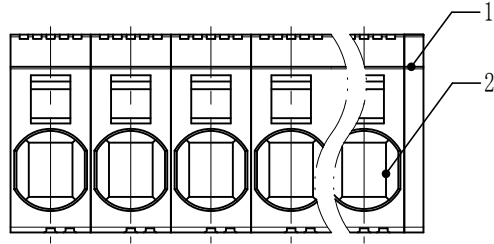


PCB LAYOUT



公差/General tolerances (mm)											D			
0	>3	>6	>10	>18	>30	>50	>80	>120	>180	>250		>315	>400	>500
~	~	~	~	~	~	~	~	~	~	~	~	~	~	0.1/10
±0.12	±0.18	±0.22	±0.26	±0.31	±0.37	±0.57	±0.80	±0.93	±1.05	±1.15	±1.60	±2.20	±2.50	±2



Note:
The A&Z(H) in the name means :A(H) and Z(H).

ITEM	NAME OF PART	MATERIAL	NOTES
5	Pin header	Copper	Sn plated
4	Mid housing	PA66	UL94V-0
3	Side housing	PA66	UL94V-0
2	Spring	Stainless steel	/
1	Cover	PA66	UL94V-0

UL 标准/UL Standard:	B	C	D	F
额定电压/电流/Rated Voltage(V)/Current(A)	300/40	150/40	300/10	600/40
IEC 标准/IEC Standard:				
过压类别/Overvoltage Category/污染等级/Pollution Degree	III/3	III/2	II/2	/
额定电压/电流/Rated Voltage(V)/Current(A)	630/41	1000/41	1000/41	/
额定脉冲电压(KV)/Rate Impulse Voltage(KV)	6	6	6	/
线径范围(硬线和软线)/Wire Range(rigid and flexible)(AWG/mm²)	24~8 / 0.2~6			
间距/Pitch(mm)/线数范围/Poles	7.5/N=01~16P			
剥线长度/Stripping length(mm)	14~15			
使用温度范围/Operating temperature(°C)	-40~+105			
符合RoHS环保要求/Conform to RoHS	Yes			

		MATERIAL: /	SURFACE/COLOR: /		
APPD: 兰泰华	2023.06.13	NAME	DG271V-7.5-XXP-1Y-100A&Z(H)		
CHKD: 陈超	2023.06.13	MAT NO./REV: - / 00	MAT STATUS: 批量		
DRAFT: 李凯	2023.06.13	DRAWING NO.	TYPE	DRAWING STATUS	SCALE
REV	ECN	DESCRIPTION	DRAFT	DATE	SHEET
01	20230658	100L电气参数增加行级	李凯	2023.06.13	1/1
02					

01	20230658	100L电气参数增加行级	李凯	2023.06.13					
REV	ECN	DESCRIPTION	DRAFT	DATE	200103397	CUSTOMER DRAWING	已发布	2:1	1/1

Transfer or duplication of this document as well as the utilization of its contents in any form without the written permission of DEGSON is strictly prohibited. All rights reserved for patent. 本文件及其内容之复制或在本文件内容之任何形式之利用，未经DEGSON书面许可，均属严格禁止。DEGSON保留所有权利。所有权利保留。