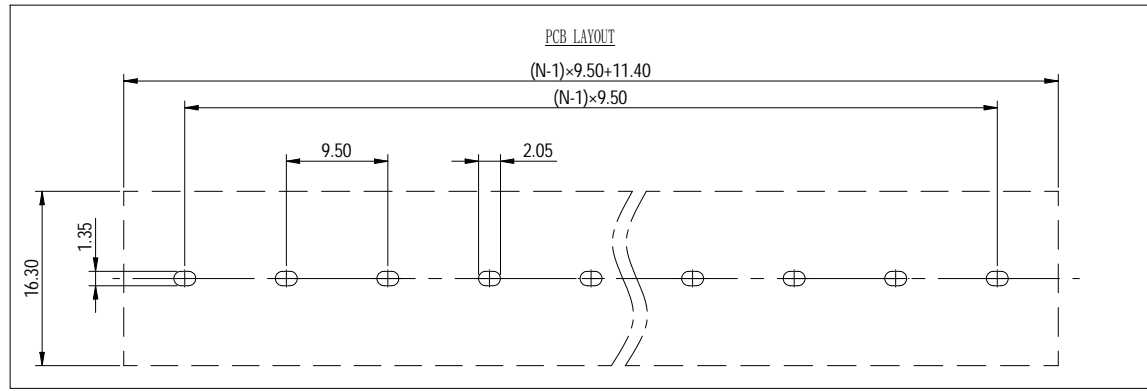
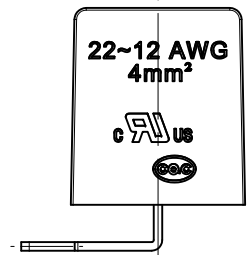
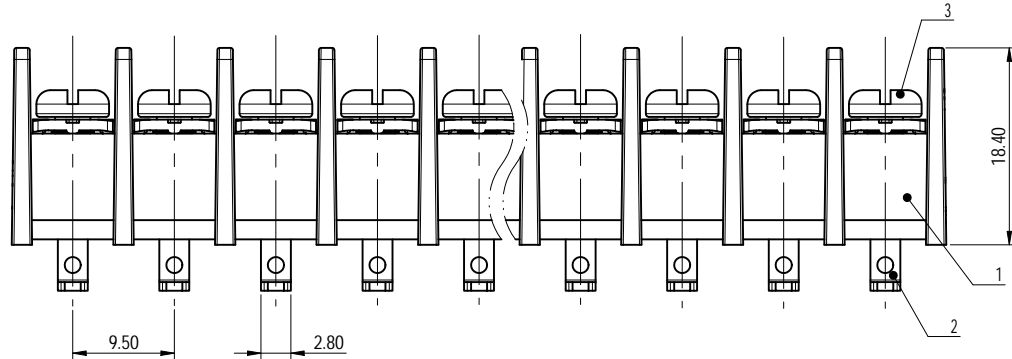
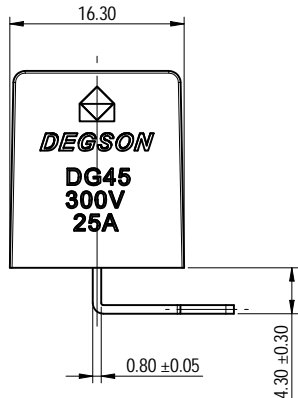
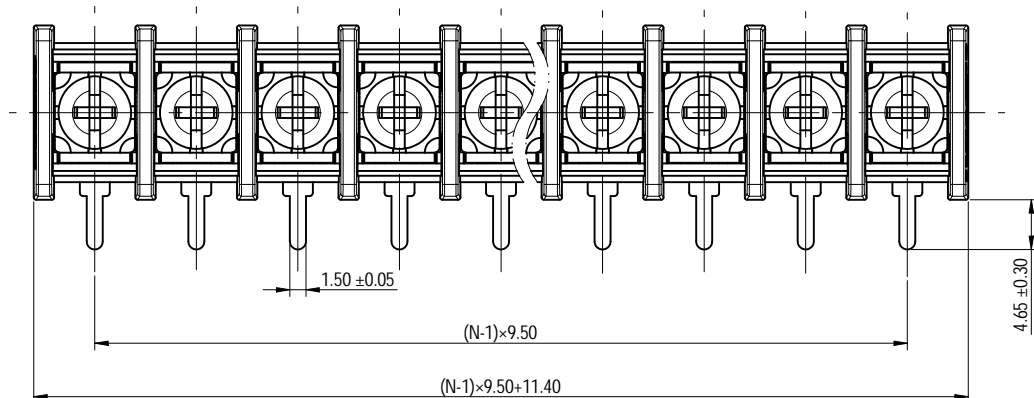


公差/General tolerances (mm)											D			
0	>3	>6	>10	>18	>30	>50	>80	>120	>180	>250	>315	>400	>500	0.1/10
~	~	~	~	~	~	~	~	~	~	~	~	~	~	N
±0.12	±0.18	±0.22	±0.26	±0.31	±0.37	±0.57	±0.80	±0.93	±1.05	±1.15	±1.60	±2.20	±2.50	±2



Note: The A&Z (H) in the name means:A(H)and Z(H).

ITEM	NAME OF PART	MATERIAL	NOTES	
3	Screw	Steel	Ni Plated	
2	Pin header	Copper alloy	Sn Plated	
1	Housing	PA66	UL94V-0	
ITEM	NAME OF PART	MATERIAL	NOTES	
UL 标准/UL Standard:		B	C	D
额定电压/电流/Rated Voltage(V)/Current(A)		300/25	/	300/10
螺丝扭矩/Torque Tightening(N·m/Lb.in)		M4: 1.2/10.62		
线径范围(硬线和软线)/Wire Range(rigid and flexible)(AWG)		22~12		
间距/Pitch(mm)/线数范围/Poles		9.50/N=02~24P		
使用温度范围/Operating temperature(°C)		-40~+105		
符合RoHS环保要求/Conform to RoHS		Yes		

DEGSON		MATERIAL:		SURFACE/COLOR:	
APPD: 蓝美凡	2024.04.01	MAT NO./REV: -	/ 00	MAT STATUS: 批量	
CHKD: 曹利影	2024.04.01	NAME: DG45R-B-XXP-1Y-00A&Z(H)			
DRFT: 姜民浩	2024.04.01	DRAWING NO.:	TYPE:	DRAWING STATUS:	SCALE:
		200119819	CUSTOMER DRAWING	已发布	2:1
00					
REV	ECN	DESCRIPTION	DRFT	DATE	SHEET
				姜民浩 2024.04.01	1/1

Transfer or duplication of this document as well as the utilization of its contents without the written permission of DEGSON is prohibited. All rights reserved for patent. 未经授权复制或传播本文件以及未经许可使用其内容均被禁止。所有权利保留。如有侵权，请联系本公司法务部处理。