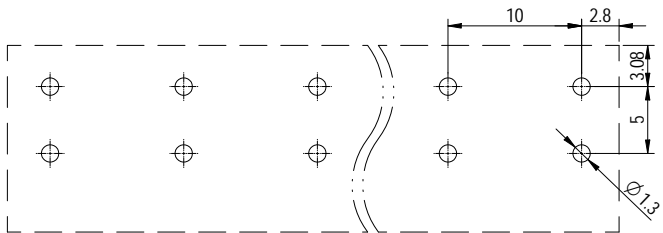
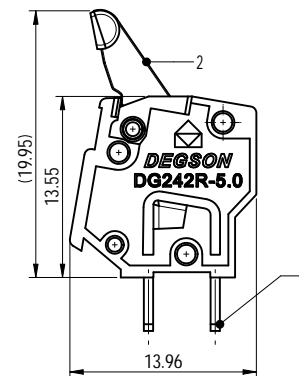
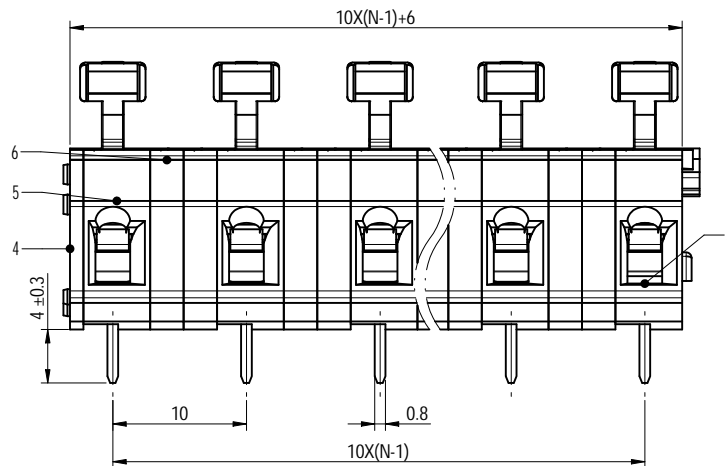
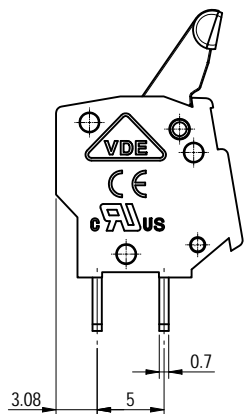
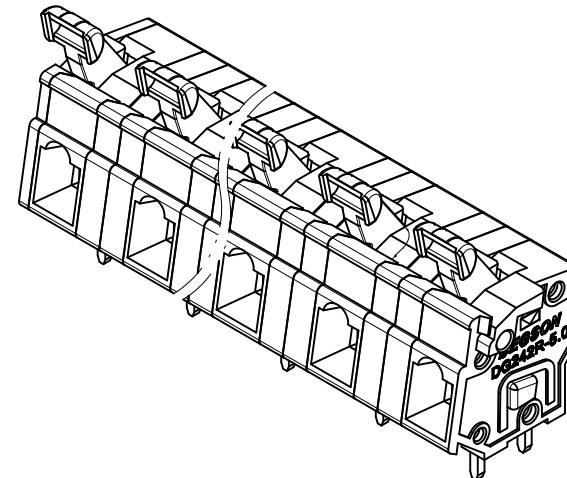
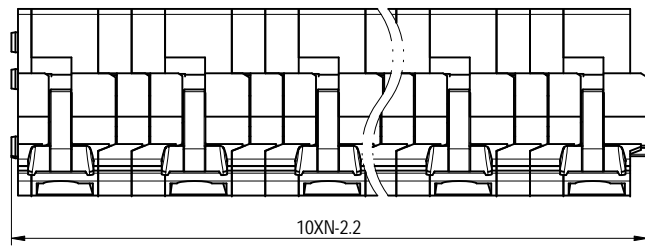


PCB LAYOUT



| | | | | | | | | | | | | | |
|---|-------|-------|-------|-------|-------|-------|-------|-------|-------|-----------------|-------|---------|-------|
| 未注公差/General tolerances(mm) | | | | | | | | | | D 0.05/10 | | | |
| 0 | >3 | >6 | >10 | >18 | >30 | >50 | >80 | >120 | >180 | | >250 | >315 | >400 |
| ±0.08 | ±0.12 | ±0.18 | ±0.22 | ±0.26 | ±0.31 | ±0.37 | ±0.57 | ±0.80 | ±0.93 | ±1.05 | ±1.15 | ±1.60 | ±2.20 |
| UL 标准/UL Standard: | | | | | | | | | | B | C | D | |
| 额定电压/电压/Rated Voltage(V)/Current(A) | | | | | | | | | | 300/15 | | 300/10 | |
| IEC 标准/IEC Standard: | | | | | | | | | | | | | |
| 过压类别/Overvoltage Category/污染等级/Pollution Degree | | | | | | | | | | III/3 | | III/2 | |
| 额定电压/电压/Rated Voltage(V)/Current(A) | | | | | | | | | | / | | 1000/17 | |
| 工额耐压/Withstanding Voltage(V/1Min) | | | | | | | | | | AC3500 | | | |
| 线径范围(硬线和软线)/Wire Range(rigid and flexible)(AWG/mm²) | | | | | | | | | | 28~12 / 0.2~2.5 | | | |
| 间距/Pitch(mm)/线数范围/ Poles | | | | | | | | | | 10.0/N=02~08P | | | |
| 剥线长度/Stripping length(mm) | | | | | | | | | | 5~6 | | | |
| 使用温度范围/Operating temperature(°C) | | | | | | | | | | -40~+105 | | | |
| 符合RoHS环保要求/Conform to RoHS | | | | | | | | | | Yes | | | |



Note:
The A&Z(H) in the name means: A(H) and Z(H).

| | | | |
|------|--------------|-----------------|-----------|
| 6 | Capboard | PA66 | UL94V-0 |
| 5 | Housing | PA66 | UL94V-0 |
| 4 | Cover | PA66 | UL94V-0 |
| 3 | Spring | Stainless steel | / |
| 2 | Button | POM | UL94HB |
| 1 | Pin header | Copper alloy | Sn Plated |
| ITEM | NAME OF PART | MATERIAL | NOTES |

| | | | | |
|---------------|------------|-----------------------------------|------------------|----------------|
| DEGSON | | MATERIAL: / | SURFACE/COLOR: / | |
| APPD: 兰泰华 | 2022.10.24 | MAT NO./REV: - | / 01 | MAT STATUS: 批量 |
| CHKD: 陈超 | 2022.10.21 | NAME: DG242R-10.0-XXP-1Y-00A&Z(H) | | |
| DRFT: 陈学龙 | 2022.10.21 | DRAWING NO. | TYPE | DRAWING STATUS |
| REV | ECN | DESCRIPTION | DRFT | DATE |
| 00 | | | 陈学龙 | 2022.10.21 |
| ① | A3 | 200025368 | CUSTOMER DRAWING | 已发布 |
| SCALE | SHEET | | | |
| 2:1 | 1/1 | | | |

Transfer or duplication of this document as well as the utilization of its contents without the written permission of DEGSON is prohibited. All rights reserved for patent. 此文件及其中内容之复制或未经许可之使用均受法律保护。未经授权，不得复制或传播。如有侵权，本公司保留追究法律责任之权利。